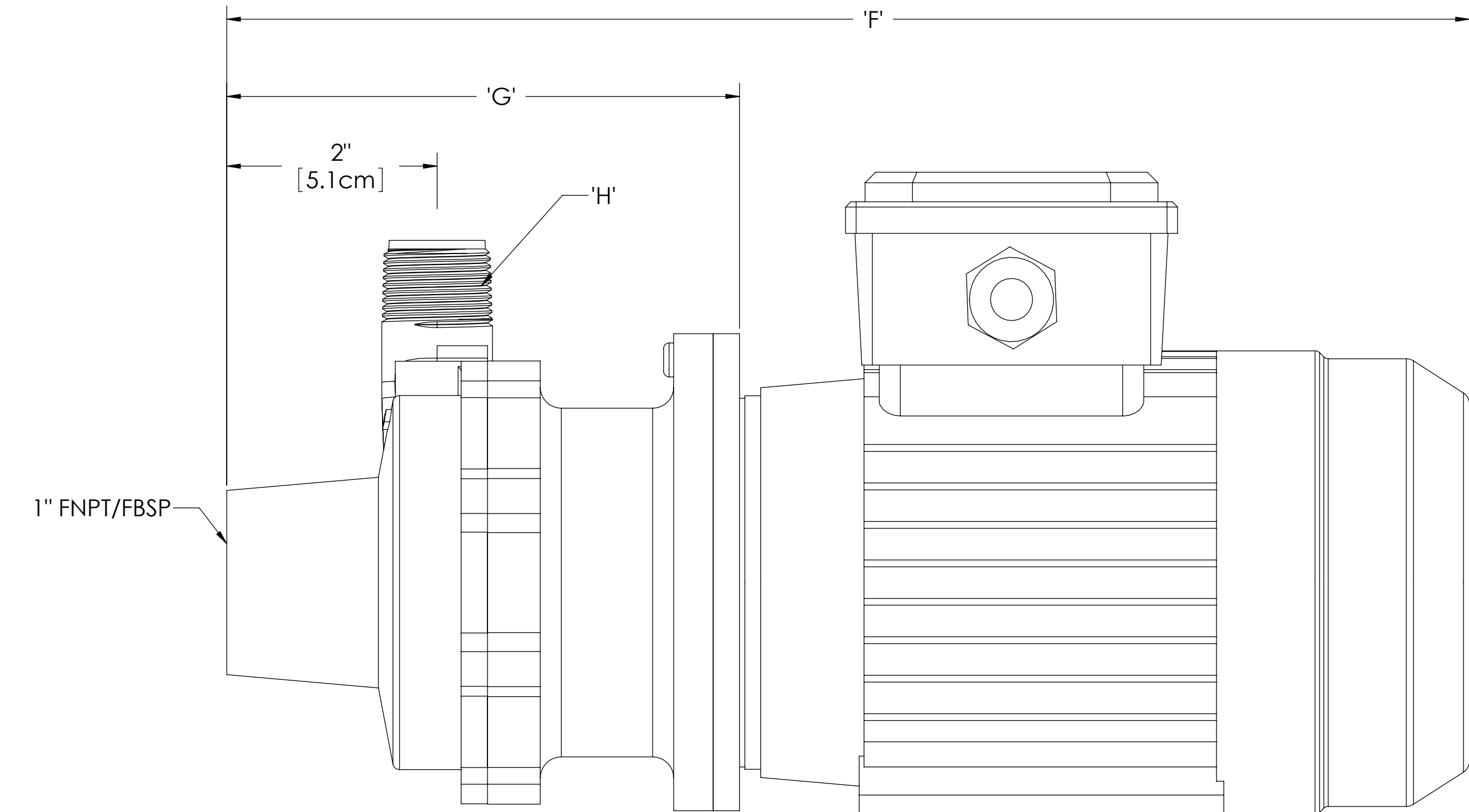
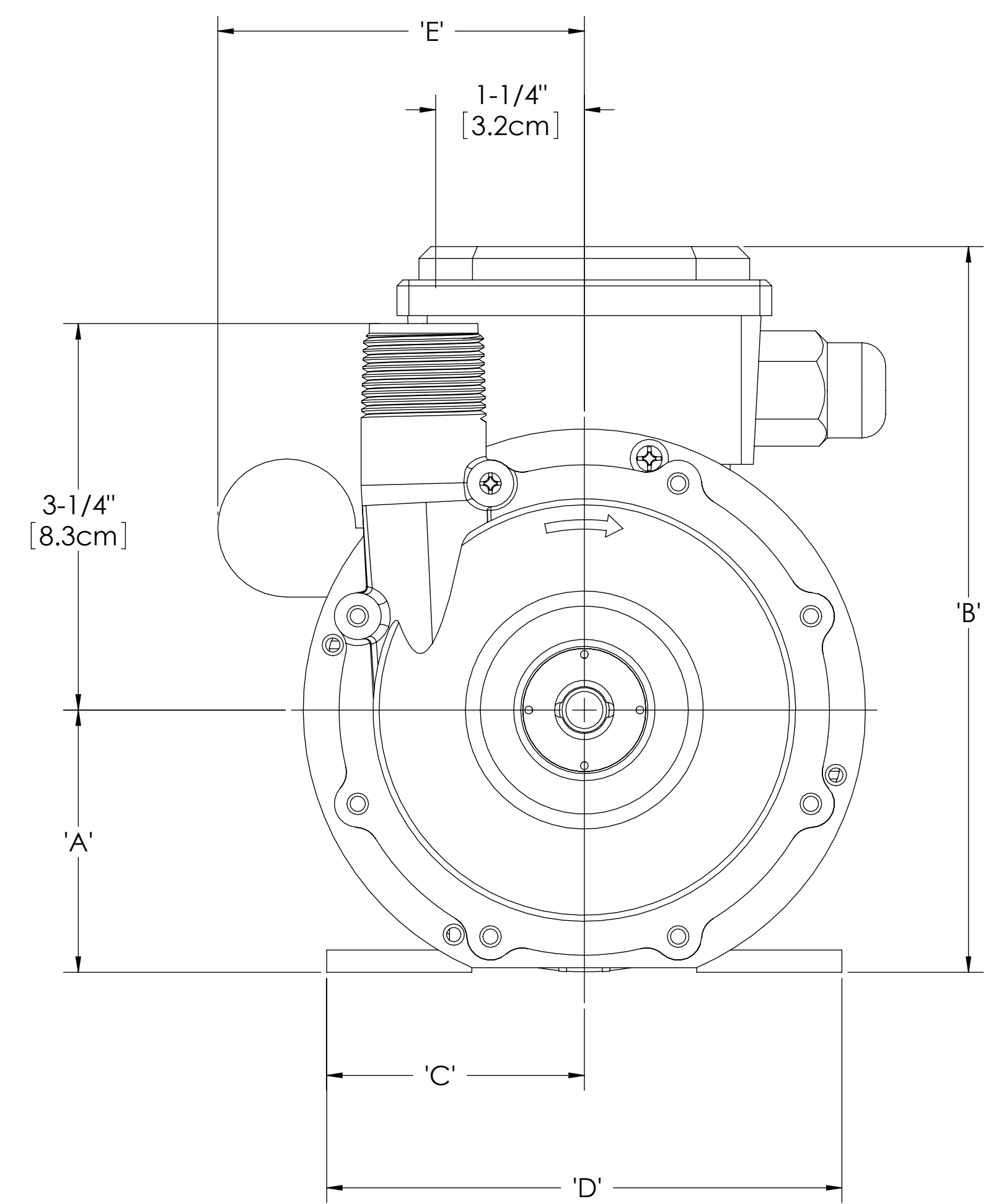
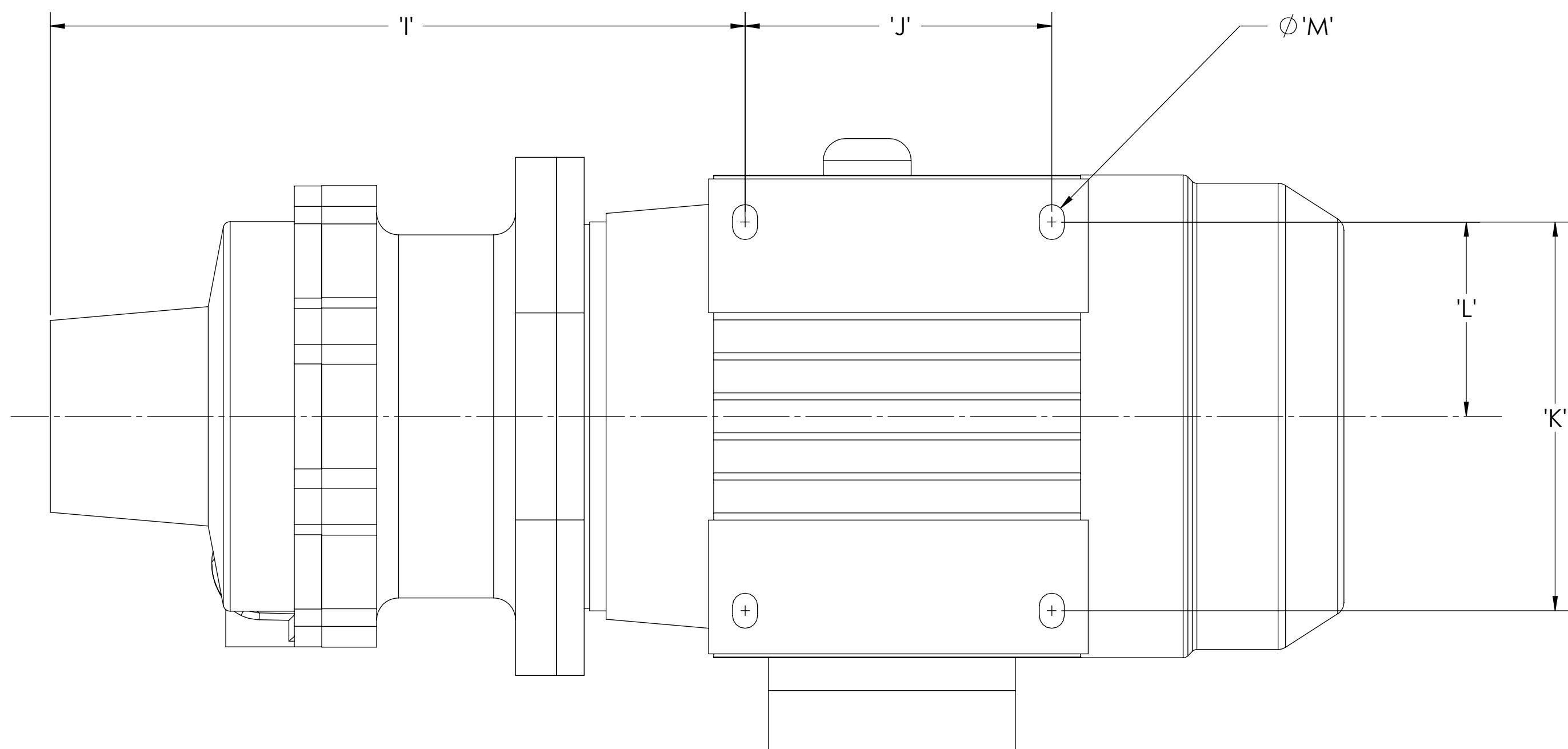


REVISIONS				
REV	DESCRIPTION	DATE	APPR'D	TRACK
1	UPDATED MOTOR DIMS, ADDED DB5.5 AND 71 FR.	9/14/10	DAC	3387
2	CHG. DIM 'M' UNITS FROM CM TO MM	1/11/11	DAC	3460



1" FNPT/FBSP



NOTE: DIMENSIONS ARE TO BE USED FOR REFERENCE ONLY

MODEL	MOTOR	'A' DIM	'B' DIM	'C' DIM	'D' DIM	'E' DIM	'F' DIM	'G' DIM	'H' DIM	'I' DIM	'J' DIM	'K' DIA	'L' DIA	'M' DIA	PUMP WT	MOTOR WT
DB3	IEC 56	2-7/32" [5.6 CM]	6-1/8" [15.5 CM]	2-5/32" [5.5 CM]	4-5/16" [10.9 CM]	3-1/16" [7.8 CM]	11-3/4" [29.9 CM]	4-7/8" [12.4 CM]	1/2" MNPT/MBSP	6-5/16" [16.1 CM]	2-25/32" [7.1 CM]	3-47/32" [9 CM]	1-25/32" [4.5 CM]	7/32" [5.8 mm]	3.7 LBS [1.7 KG]	8.5 LBS [3.9 KG]
DB4/5	IEC 63	2-15/32" [6.3 CM]	6-5/16" [16.0 CM]	2-13/32" [6.1 CM]	4-13/16" [12.2 CM]	3-7/16" [8.7 CM]	12-7/8" [32.7 CM]	4-7/8" [12.4 CM]	1/2" MNPT/MBSP	6-5/8" [16.9 CM]	3-5/32" [8 CM]	3-15/16" [10 CM]	1-31/32" [5 CM]	9/32" [7 mm]	3.7 LBS [1.7 KG]	10.3 LBS [4.7 KG]
DB5.5	IEC 71	2-13/16" [7.1 CM]	7-7/16" [18.9 CM]	2-11/16" [6.9 CM]	5-13/32" [13.7 CM]	3-13/16" [9.7 CM]	14-1/16" [35.8 CM]	5-5/32" [13.1 CM]	3/4" MNPT/MBSP	6-15/16" [17.6 CM]	3-17/32" [9 CM]	4-13/32" [11.2 CM]	2-3/16" [5.6 CM]	9/32" [7 mm]	3.7 LBS [1.7 KG]	14.2 LBS [6.4 KG]

UNLESS OTHERWISE SPECIFIED		DISTRIBUTION BLOCK		821 GREENGARDEN ROAD ERIE, PENNSYLVANIA 16501		PHONE: (814) 455-4478 FAX: (814) 455-8518	
DIMENSIONS ARE IN INCHES TOLERANCES ARE: XXX ± .005 XX ± .010 FRAC ± .102 DEGREE ± 1° FINISH 125		DEPT	RECD	DEPT	RECD	PRODUCT: DB3/4/5/5.5	
SIGNATURES		PUMP ASSM		INI MOLD		TITLE: OUTLINE DIMENSIONAL	
DATE		STILL ASSM		PURCH		SIZE: PART NUMBER	REV. 2
DRAWN: C.M.B.		WELD SHOP		SALES		D	R100531
ENGR:						SCALE: DNS	SHEET 1 OF 1
DO NOT SCALE DRAWING		CAD GENERATED DRAWING DO NOT MANUALLY UPDATE		THIRD ANGLE PROJECTION		CHECKED	