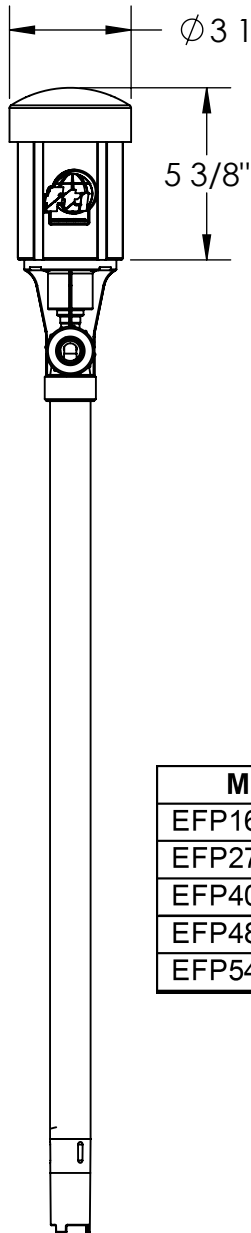
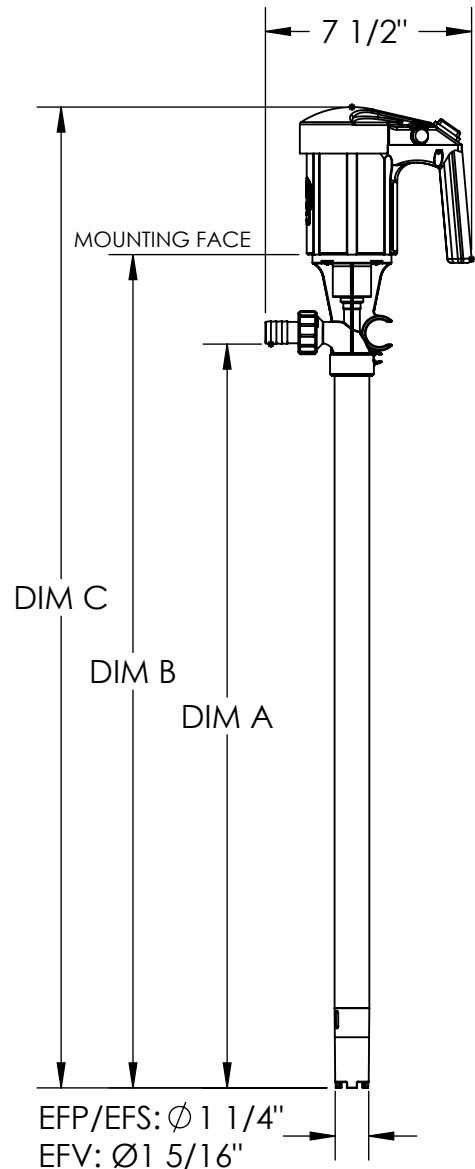
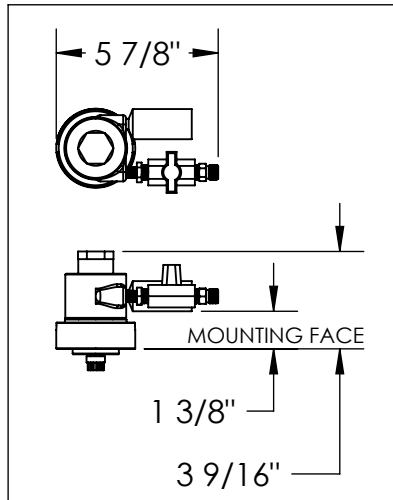


### REVISIONS

REV	DESCRIPTION	DATE	APPR'D	TRACK
1	ADDED 54"	5/23/11	DAC	3523
2	EFV DIAMETER CHG. FROM 1-1/4 TO 1-5/16	12/12/11	DAC	3674
3	CHG. TO TWO PIECE DIFFUSER	12/4/14	DAC	4288



#### S4 AIR MOTOR



MODEL	DIM A	DIM B	DIM C
EFP16 & EFV16	16 $\frac{1}{8}$	19 $\frac{3}{8}$	24 $\frac{3}{4}$
EFP27 & EFV27	27 $\frac{1}{8}$	30 $\frac{3}{8}$	35 $\frac{3}{4}$
EFP40 & EFV40	40 $\frac{1}{8}$	43 $\frac{3}{8}$	48 $\frac{3}{4}$
EFP48 & EFV48	48 $\frac{1}{8}$	51 $\frac{3}{8}$	56 $\frac{3}{4}$
EFP54 & EFV54	54 $\frac{1}{8}$	57 $\frac{3}{8}$	62 $\frac{3}{4}$

MODEL	DIM A	DIM B	DIM C
EFS16	16	19 $\frac{1}{4}$	24 $\frac{5}{8}$
EFS27	27	30 $\frac{1}{4}$	35 $\frac{5}{8}$
EFS40	40	43 $\frac{1}{4}$	48 $\frac{5}{8}$
EFS48	48	51 $\frac{1}{4}$	56 $\frac{5}{8}$

UNLESS OTHERWISE SPECIFIED		DISTRIBUTION BLOCK				921 GREENGARDEN ROAD ERIE, PENNSYLVANIA 16501 PHONE: (814) 455-4478 FAX: (814) 455-8518	
DIMENSIONS ARE IN INCHES TOLERANCES ARE: .XXX ± .005 .XX ± .010 FRAC. ± 1/16 DEGREE ± 1° FINISH 125		DEPT	REC'D	DEPT	REC'D	PRODUCT: <b>EF</b>	
		PUMP ASSM		INJ MOLD		TITLE	
		STILL ASSM		PURCH		<b>OUTLINE DIMENSIONAL</b>	
		WELD SHOP		SALES		SIZE: <b>A</b>	PART NUMBER
SIGNATURES	DATE	MACH SHOP	ADV	THIRD ANGLE PROJECTION 		SCALE: 1:6	
DRAWN: DAC	11/4/09	CAD GENERATED DRAWING, DO NOT MANUALLY UPDATE		SHEET	1 OF 1	CHECKED	
DO NOT SCALE DRAWING							