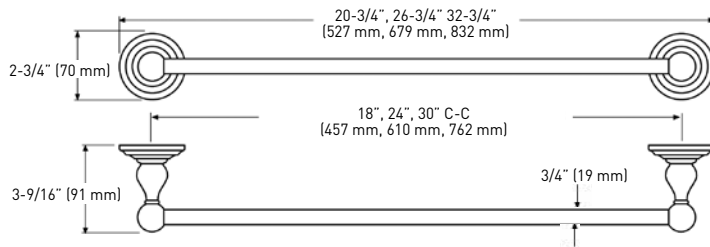


FEATURES

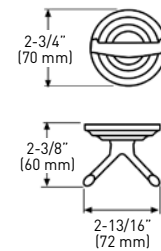
- › INCLUDES STEEL MOUNTING PLATES: 2-3/16" x 1" [55 mm x 25 mm]; NYLON ANCHORS AND STEEL PHILLIPS HEAD SCREWS: #8 x 1" [26 mm]
- › ZINC DIE-CAST CONSTRUCTION (POSTS)



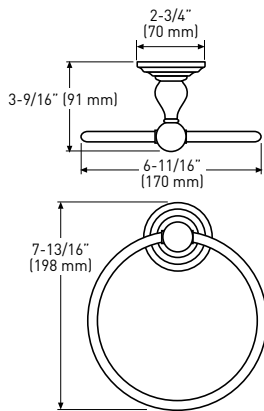
TOWEL BAR



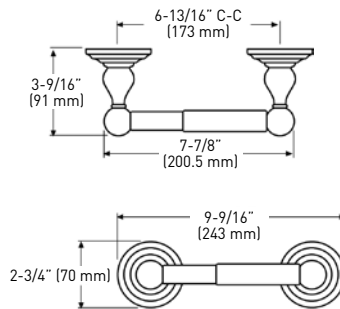
DOUBLE ROBE HOOK



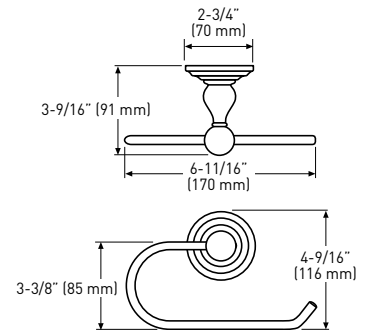
TOWEL RING



STANDARD PAPER HOLDER



PAPER HOLDER/TOWEL HOLDER



MEASUREMENTS SUBJECT TO A 3% VARIANCE

MEASUREMENTS ARE FOR REFERENCE ONLY. TAYMOR RESERVES THE RIGHT TO CHANGE THE PRODUCT SPECS WITHOUT NOTICE. FOR PRODUCT WARRANTY, PLEASE VISIT TAYMOR WEBSITE FOR DETAILS

	OIL RUBBED BRONZE 10B	MATERIAL	SATIN NICKEL 15	MATERIAL	POLISHED CHROME 26	MATERIAL	CASE QTY.
TOWEL BAR - 18"	04-BRN6218	ZINC & ALUMINUM	04-SN6218	ZINC & STAINLESS STEEL	04-6218	ZINC & STAINLESS STEEL	10
TOWEL BAR - 24"	04-BRN6224	ZINC & ALUMINUM	04-SN6224	ZINC & STAINLESS STEEL	04-6224	ZINC & STAINLESS STEEL	10
TOWEL BAR - 30"	04-BRN6230	ZINC & ALUMINUM	04-SN6230	ZINC & STAINLESS STEEL	04-6230	ZINC & STAINLESS STEEL	10
DOUBLE ROBE HOOK	04-BRN6202	ZINC	04-SN6202	ZINC	04-6202	ZINC	10
STANDARD PAPER HOLDER	04-BRN6208	ZINC & PLASTIC	04-SN6208	ZINC & PLASTIC	04-6208	ZINC & PLASTIC	10
PAPER HOLDER/TOWEL HOLDER	04-BRN6248	ZINC	04-SN6248	ZINC	04-6248	ZINC	10
TOWEL RING	04-BRN6204	ZINC & ALUMINUM	04-SN6204	ZINC & STAINLESS STEEL	04-6204	ZINC & ALUMINUM	10