

Please read and save these instructions. Read carefully before attempting to assemble, install, operate or maintain the product described. Protect yourself and others by observing all safety information. Failure to comply with instructions could result in personal injury and/or property damage! Retain instructions for future reference.

Westward® Hydraulic Quick Lift Service Jacks

U.S. Patent No's.
6,199,379 • 5,946,912 • 7,194,857

Description

Westward Hydraulic **Quick Lift** Service Jack is designed to lift, but not support, one end of a vehicle. The Service Jack (13X032, 13X037) with Quick Lift System providing one pump to lift point contact, which allows a no-load lift possible in seconds. It is designed to be used in conjunction with jack stands. Intended use: To lift one axle of a vehicle for the purpose of service and /or repair of vehicle components. After lifting, loads must be immediately supported by a pair of appropriately rated jack stands. Check with vehicle manufacturer's owners manual for proper lift points. This jack complies with applicable ANSI/PALD Standards.

Specifications

Model	Capacity	Chassis Length	Handle Length	Saddle Ht. Lowered	Saddle Ht. Raised
13X032	3.5 Ton	30-7/8"	49-7/8"	4"	21-5/8"
13X037	2.5 Ton	29-3/8"	49-7/8"	4"	20-1/4"

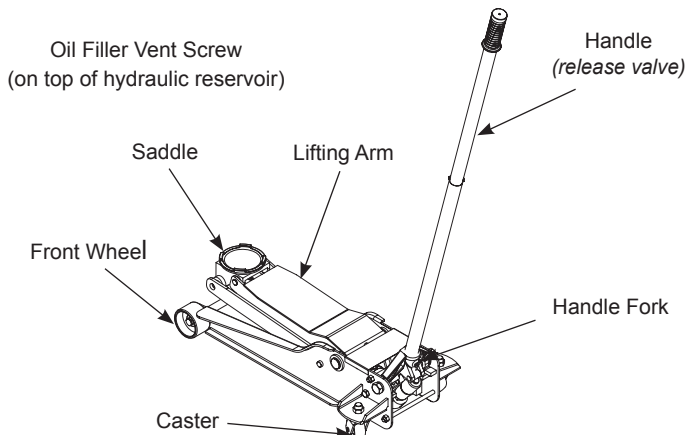


Figure 1 - Typical Jack Nomenclature

General Safety Information

▲ WARNING Study, understand, and follow all instructions and safety precautions provided with/on this product before use. Do not exceed rated capacity. Use only on hard, level surface. This is a lifting device only! Immediately after lifting, support the load with a pair of appropriately rated jack stands. Lift only on areas of the vehicle as specified by the vehicle manufacturer. Do not move or dolly the vehicle while on the jack. Inspect jack before each use. Do not use if bent, broken, leaking, or damaged components are noted. No alterations shall be made to this product. Never work

on, under or around a load supported only by hydraulic jack. Do not use this device to lift, level, lower, support nor move a house, mobile home, travel trailer, camper or any building structure. Failure to heed any one or combination of these warnings may result in severe personal injury and/or property damage.

Assembly

1. Assemble the 2-piece handle with provided bolt.
2. Insert handle into the handle fork. Tighten the bolt on handle fork to prevent accidental removal of handle while in use.

Before Use

1. Verify that the product and application are compatible.
2. Before using this product, read the operator's manual completely and familiarize yourself thoroughly with the product, its components and recognize the hazards associated with its use.
3. To familiarize yourself with basic operation, locate and turn the release valve (handle):
 - a. Clockwise until firm resistance is felt to further turning. This is the 'CLOSED' release valve position used to **raise** the saddle.
 - b. Counter-clockwise, but no more than 1/2 turn from the closed position. This is the 'OPEN' release valve position used to **lower** the saddle.
4. With saddle fully lowered, remove the vent screw. Pump 6 to 8 full strokes. This will help release any pressurized air which may be trapped within the reservoir. Check oil level. Proper oil level will vary from just covering the ram cylinder to 3/16" above it as seen from the oil filler hole. Reinstall vent screw.
5. Ensure that jack rolls freely. Raise and lower the unloaded saddle throughout the lifting range before putting into service to ensure the pump operates smoothly. Replace worn or damaged parts and assemblies with authorized replacement parts only.

Operation

▲ WARNING Only attachments and/or adapters supplied by the manufacturer shall be used. Lift only on area of the vehicle as specified by the vehicle manufacturer. Never use hydraulic jack as a stand alone device! Always transfer the lifted load immediately to a pair of appropriately rated jack stands. Do not exceed rated capacity.

Westward® Hydraulic Quick Lift Service Jacks

Operation (continued)

LIFTING

1. Follow the vehicle manufacturer's recommended guidelines for lifting. Engage the emergency brake and chock each unlifted wheel in both directions to prevent inadvertent vehicle movement.
2. Close the release valve by turning the handle clockwise until firm resistance is felt.
3. Refer to the vehicle manufacturer owner's manual to locate approved lifting points on the vehicle. Center jack saddle under lift point.
4. Verify lift point, pump handle to contact lift point. To lift, pump handle until load reaches desired height.
5. Transfer the load **immediately** to appropriately rated jack stands.

LOWERING

▲ WARNING *Be sure all tools and personnel are clear before lowering load. Slowly open the release valve! The more you turn the handle counter-clockwise, the faster the load will come down. Maintain control of the rate of speed at which the load lowers at all times!*

1. Raise load high enough to clear the jack stands.
2. Remove jack stands carefully.
3. **Slowly** turn the handle counter-clockwise, but no more than 1/2 full turn. If the load fails to lower:
 - a. Use another jack to raise the vehicle high enough to reinstall jack stands.
 - b. Remove the malfunctioning jack and then remove the jack stands.
 - c. Use the functioning jack to lower the vehicle.
4. After removing jack from under the vehicle, fully lower the saddle to reduce ram exposure to rust and contamination.

Maintenance

IMPORTANT: Use only good grade hydraulic jack oil. Avoid mixing different types of fluid and NEVER use brake fluid, turbine oil, transmission fluid, motor oil or glycerin. Improper fluid can cause premature failure of the jack and the potential for sudden and immediate loss of load. We recommend Mobil DTE 13M or equivalent.

ADDING OIL

1. With saddle fully lowered set jack in its upright, level position. Remove vent screw.
2. Fill with oil until 3/16" above the inner cylinder as seen from the oil filler hole. Reinstall vent screw.

CHANGING OIL

For best performance and longest life, replace the complete fluid supply at least once per year.

1. With saddle fully lowered, remove vent screw.
2. Lay the jack on its side and drain the fluid into a suitable container.

Note. Dispose of hydraulic fluid in accordance with local regulations.

3. Fill with oil until 3/16" above the inner cylinder as seen from the oil filler hole. Reinstall vent screw.

LUBRICATION

A periodic coating of light lubricating oil to pivot points, axles and hinges will help to prevent rust and assure that wheels, casters and pump assemblies move freely.

CLEANING

Periodically check the pump piston and ram for signs of rust or corrosion. Clean as needed and wipe with an oily cloth.

Note: Never use sandpaper or abrasive material on these surfaces!

STORAGE

When not in use, store the jack with saddle fully lowered.

Troubleshooting Chart

Symptom	Possible Cause(s)	Corrective Action
Jack will not lift load	<ol style="list-style-type: none"> 1. Release valve not tightly closed 2. Load is too heavy 	<ol style="list-style-type: none"> 1. Ensure release valve tightly closed 2. Consider higher capacity jack
Jack will lift, but not maintain pressure	<ol style="list-style-type: none"> 1. Release valve not tightly closed 2. Hydraulic unit malfunctioning 	<ol style="list-style-type: none"> 1. Ensure release valve tightly closed 2. Replace
Jack will not lower after unloading	<ol style="list-style-type: none"> 1. Reservoir overfilled 2. Linkages binding 3. Fluid level low 	<ol style="list-style-type: none"> 1. Drain fluid to proper level 2. Clean and lubricate moving parts 3. Ensure proper fluid level
Poor lift performance	<ol style="list-style-type: none"> 1. Fluid level low 2. Hydraulic unit malfunction 	<ol style="list-style-type: none"> 1. Ensure proper fluid level 2. Replace
Will not lift to full extension	Fluid level low	Ensure proper fluid level

For Repair Parts, call 1-800-323-0620
24 hours a day - 365 days a year

Please provide following information:

- Model number
- Serial number (if any)
- Part description and number as shown in parts list

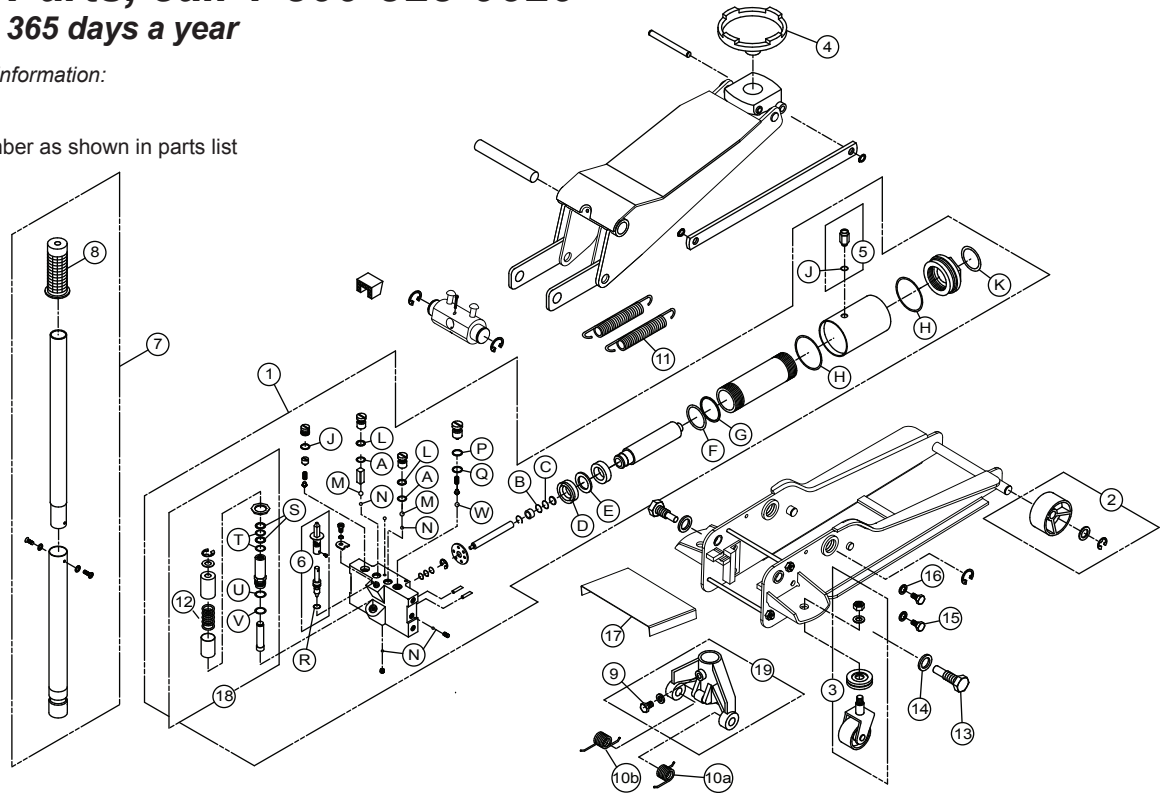


Figure 2 — Repair Parts Illustration for Model 13X032 And 13X037

Repair Parts List

Reference Number	13X032	Part Number	13X037	Description	Quantity
1	G730-04000-000		G25L-03000-000	Hydraulic Power Unit	1
2	G730-90009-K01		G730-90009-K01	Front Wheel Assy.	2
3	G520-90026-K02		G520-90026-K02	Rear Caster Assy.	2
4	G730-00004-000		G700-00004-000	Saddle	1
5	G62S-03300-200		G62S-03300-200	Vent Screw Assy.	1
6	G730-90009-K04		G730-90009-K04	U-joint Assy.	1
7	G730-90009-K02		G730-90009-K02	Handle	1
8	G933-00001-000		G933-00001-000	Handle Grip	1
9	5102-08018-000		5102-08018-000	Handle Retaining Bolt, M8*18	1
10a	G931-00009-000		G931-00009-000	Spring, Handle Fork (Right)	1
10b	G610-00008-000		G610-00008-000	Spring, Handle Fork (Left)	1
11	G931-00003-000		G931-00003-000	Spring, Lift Arm	2
12	G610-03005-000		G610-03005-000	Spring, Pump	1
13	G610-00009-000		G610-00009-000	Bolt	1
14	5303-00020-000		5303-00020-000	Lock Washer, M20	2
15	G62S-00008-000		G62S-00008-000	Bolt, M12	4
16	5303-00012-000		5303-00012-000	Lock Washer, M12	4
17	G730-00005-000		G700-00002-000	Cover	1
18	G730-90009-K03		G730-90009-K03	Pump Piston Assembly	1
19	G62S-05000-000		G62S-05000-000	Handle Fork	1
**	G6122S-120		G6122S-120	Repair Kit	-

Westward® Hydraulic Quick Lift Service Jacks

LIMITED WARRANTY

WESTWARD ONE-YEAR LIMITED WARRANTY. Hydraulic Quick Lift Service Jacks, Models covered in this manual, is warranted by Westward to the original user against defects in workmanship or materials under normal use for one year after date of purchase. Any part which is determined to be defective in material or workmanship and returned to an authorized service location, as Westward designates, shipping costs prepaid, will be, as the exclusive remedy, repaired or replaced at Westward's option. For limited warranty claim procedures, see PROMPT DISPOSITION below. This limited warranty gives purchasers specific legal rights which vary from jurisdiction to jurisdiction.

LIMITATION OF LIABILITY. To the extent allowable under applicable law, Westward's liability for consequential and incidental damages is expressly disclaimed. Westward's liability in all events is limited to and shall not exceed the purchase price paid.

WARRANTY DISCLAIMER. Westward has made a diligent effort to provide product information and illustrate the products in this literature accurately; however, such information and illustrations are for the sole purpose of identification, and do not express or imply a warranty that the products are MERCHANTABLE, or FIT FOR A PARTICULAR PURPOSE, or that the products will necessarily conform to the illustrations or descriptions.

Except as provided below, no warranty or affirmation of fact, expressed or implied, other than as stated in the "LIMITED WARRANTY" above is made or authorized by Westward.

PRODUCT SUITABILITY. Many jurisdictions have codes and regulations governing sales, construction, installation, and/or use of products for certain purposes, which may vary from those in neighboring areas. While Westward attempts to assure that its products comply with such codes, it cannot guarantee compliance, and cannot be responsible for how the product is installed or used. Before purchase and use of a product, review the product applications, and all applicable national and local codes and regulations, and be sure that the product, installation, and use will comply with them.

Certain aspects of disclaimers are not applicable to consumer products; e.g., (a) some jurisdictions do not allow the exclusion or limitation of incidental or consequential damages, so the above limitation or exclusion may not apply to you; (b) also, some jurisdictions do not allow a limitation on how long an implied warranty lasts, consequentially the above limitation may not apply to you; and (c) by law, during the period of this Limited Warranty, any implied warranties of implied merchantability or fitness for a particular purpose applicable to consumer products purchased by consumers, may not be excluded or otherwise disclaimed.

PROMPT DISPOSITION. Westward will make a good faith effort for prompt correction or other adjustment with respect to any product which proves to be defective within limited warranty. For any product believed to be defective within limited warranty, first write or call dealer from whom the product was purchased. Dealer will give additional directions. If unable to resolve satisfactorily, write to Westward at address below, giving dealer's name, address, date, and number of dealer's invoice, and describing the nature of the defect. Title and risk of loss pass to buyer on delivery to common carrier. If product was damaged in transit to you, file claim with carrier.

Manufactured for Grainger International, 100 Grainger Pkwy., Lake Forest, Illinois 60045 U.S.A.