



Service Parts List

Click on the model being serviced

Explorer EX Series

Terminal

Draft Shield

EX124	EX124G	EX124ZH	EX224M
EX224	EX224G	EX224ZH	EX224N
EX324	EX324G	EX324ZH	EX324M
			EX324N

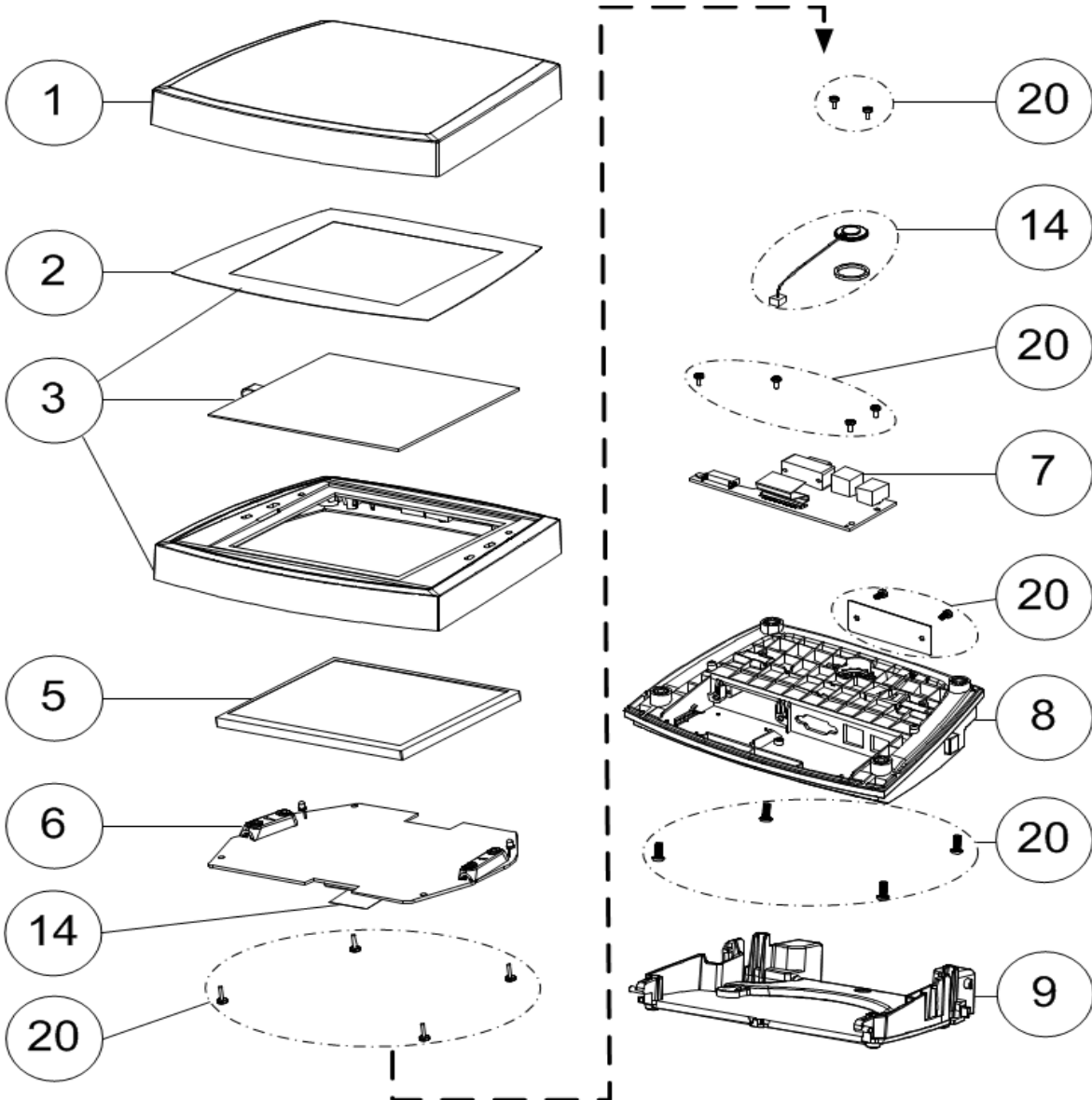
EX223	EX223G	EX223ZH	EX423M
EX423	EX423G	EX423ZH	EX423N
EX623	EX623G	EX623ZH	EX1103N
EX1103	EX1103G	EX1103ZH	EX1103M

EX2202	EX2202G	EX2202ZH	EX4202M	EX12001	EX12001N
EX4202	EX4202G	EX4202ZH	EX4202N	EX24001	EX24001N
EX6202	EX6202G	EX6202ZH	EX10202M	EX35001	EX35001N
EX6201	EX6201G	EX6201ZH	EX10202N	EX12001G	EX12001M
EX10202	EX10202G	EX10202ZH	EX10201M	EX24001G	EX24001M
EX10201	EX10201G	EX10201ZH	EX10201N	EX35001G	EX35001M

EX124/AD	EX124G/AD	EX124 /AD	EX124M/AD
EX224/AD	EX224G/AD	EX224 /AD	EX224M/AD
EX324/AD	EX324G/AD	EX324 /AD	EX324M/AD
			EX124N/AD
			EX224N/AD
			EX324N/AD

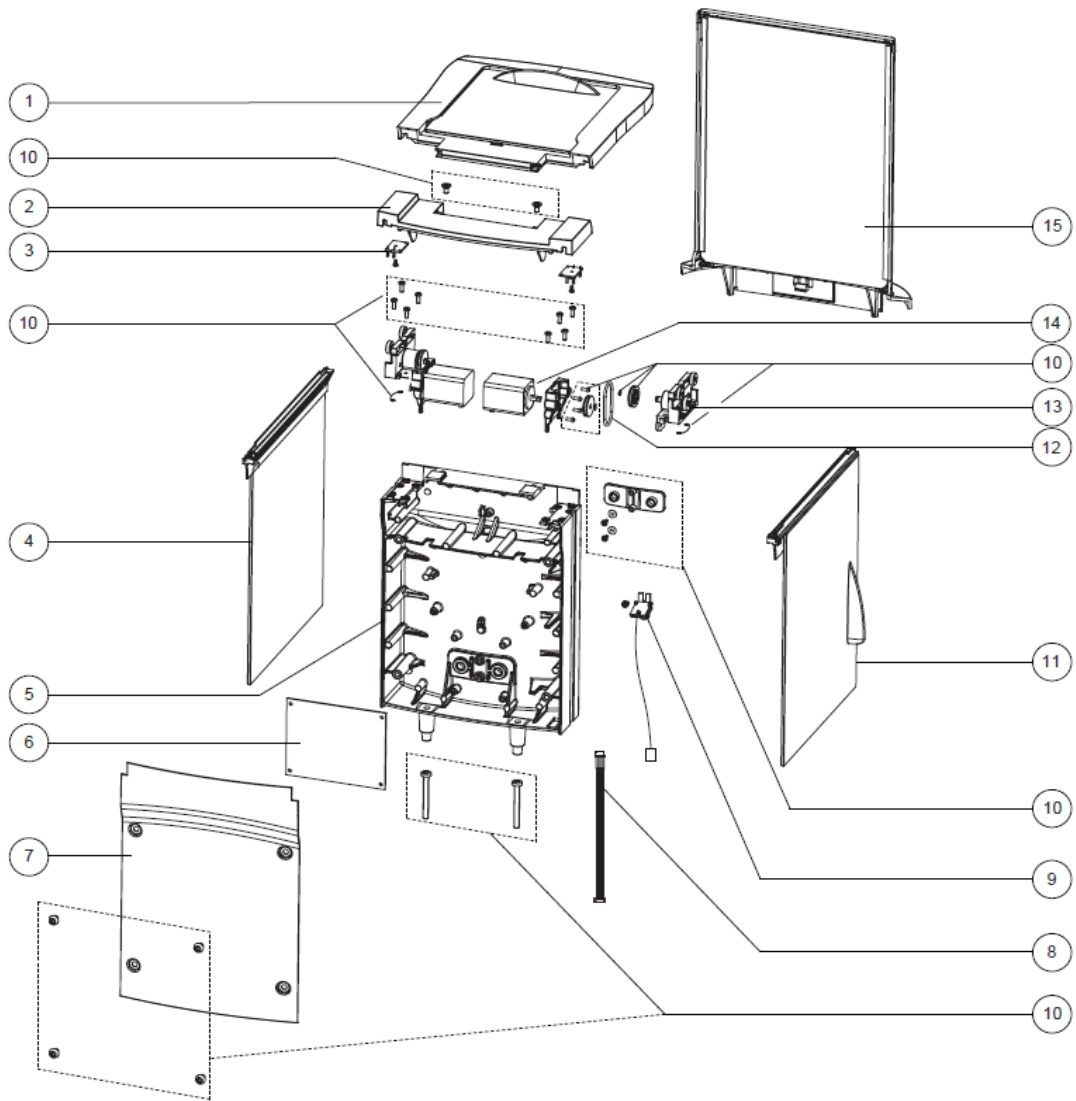
EX223/E	EX223G/E	EX223ZH/E
EX423/E	EX423G/E	EX423ZH/E

EX2202/E	EX2202G/E	EX2202ZH/E
EX4202/E	EX4202G/E	EX4202ZH/E
EX6202/E	EX6202G/E	EX6202ZH/E
EX6201/E	EX6201G/E	EX6201ZH/E



Part numbers are subject to change without notice.

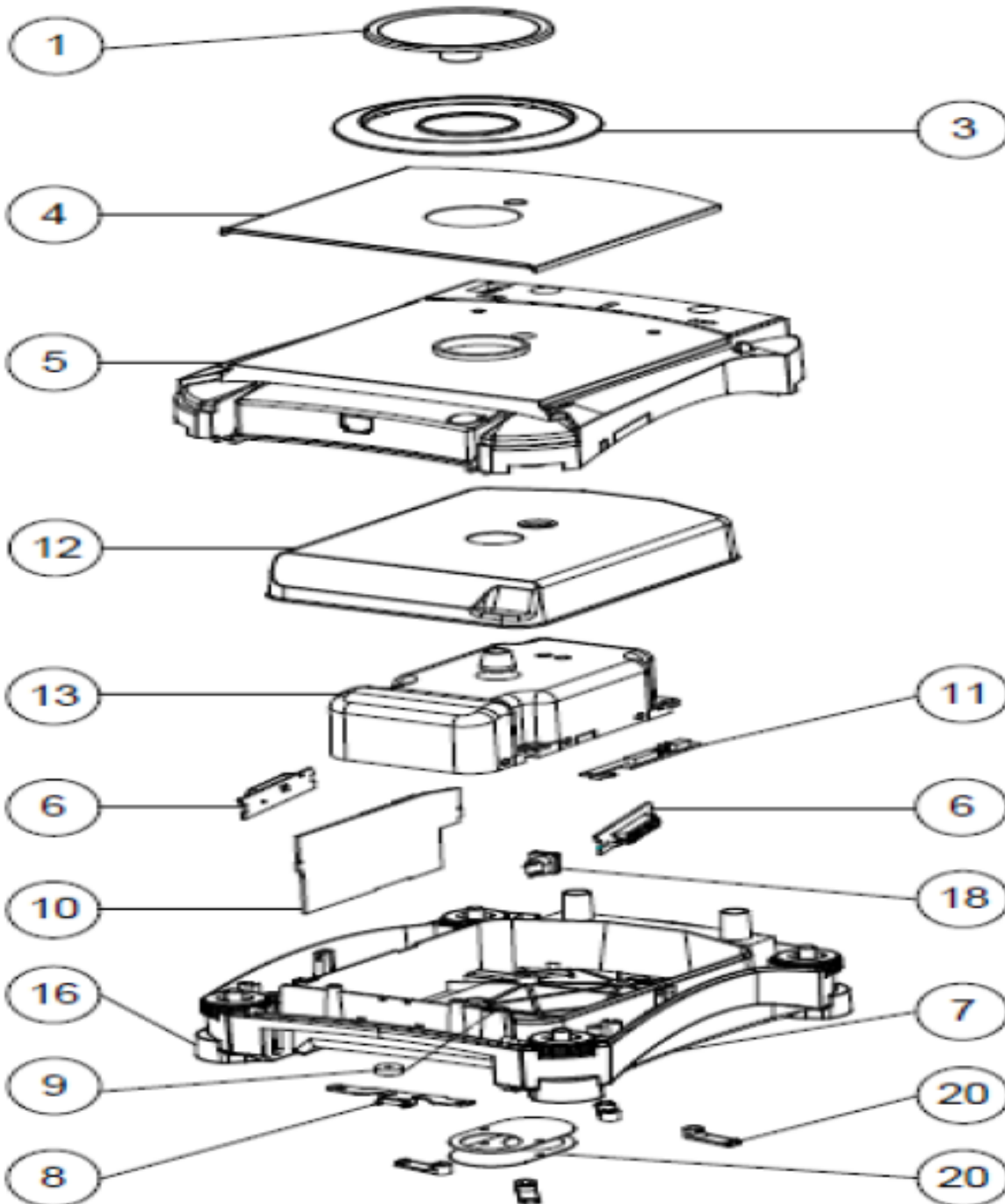
Drawing Item	Part Number	Description
T01	83033633	In-Use-Cover, Terminal, EX
T02	83033626	Function Label EX
T03	30019590	Top Housing Assembly, Terminal EX
T05	83033622	Display, LCD EX
T06	83033620	PCB, Main, Terminal EX with one USB Port
	30093338	SP Main PCBA Terminal 2.0 with two USB Port
T07	83033621	PCB, Interconnect, Terminal EX with one USB Port
	30093339	SP Interconnect Terminal 2.0 EX with two USB Port
T08	83033628	Bottom Housing, Terminal EX with one USB Port
	30093343	SP Bottom Housing Terminal 2.0 EX With Two USB Port
T09	83033625	Bracket Assy EX
T14	83033630	Cable Kit - Terminal EX
T20	83033631	Hardware kit - Terminal EX
T80	83033632	Terminal, complete EX
T80	30101552	Terminal, complete EX (V2.0)



Part numbers are subject to change without notice.

Drawing Item	Part Number	Description
1	30069153	SLIDE DOOR TOP DS EX
2	83033684	TOP COVER-BACKWALL EX
3	30069155	PCBA DOOR SENSOR EX
4	83033679	GLASS ASSY - RIGHT EX
5	83033681	BACKWALL EX
6	30069154	PCBA MOTORDRIVER BOARD EX
7	83033682	SHIELD COVER-BACKWALL EX
8	83033656	CABLE KIT EX
9	83033687	LIGHT ASSY DS EX
10	83033688	HARDWARE DS EX
11	83033678	GLASS ASSY - LEFT EX
12	30066394	BELT DS EX
13	83033625	BRACKET ASSY EX
14	30069152	MOTOR STEP DS EX
15	83033677	GLASS ASSY - FRONT EX

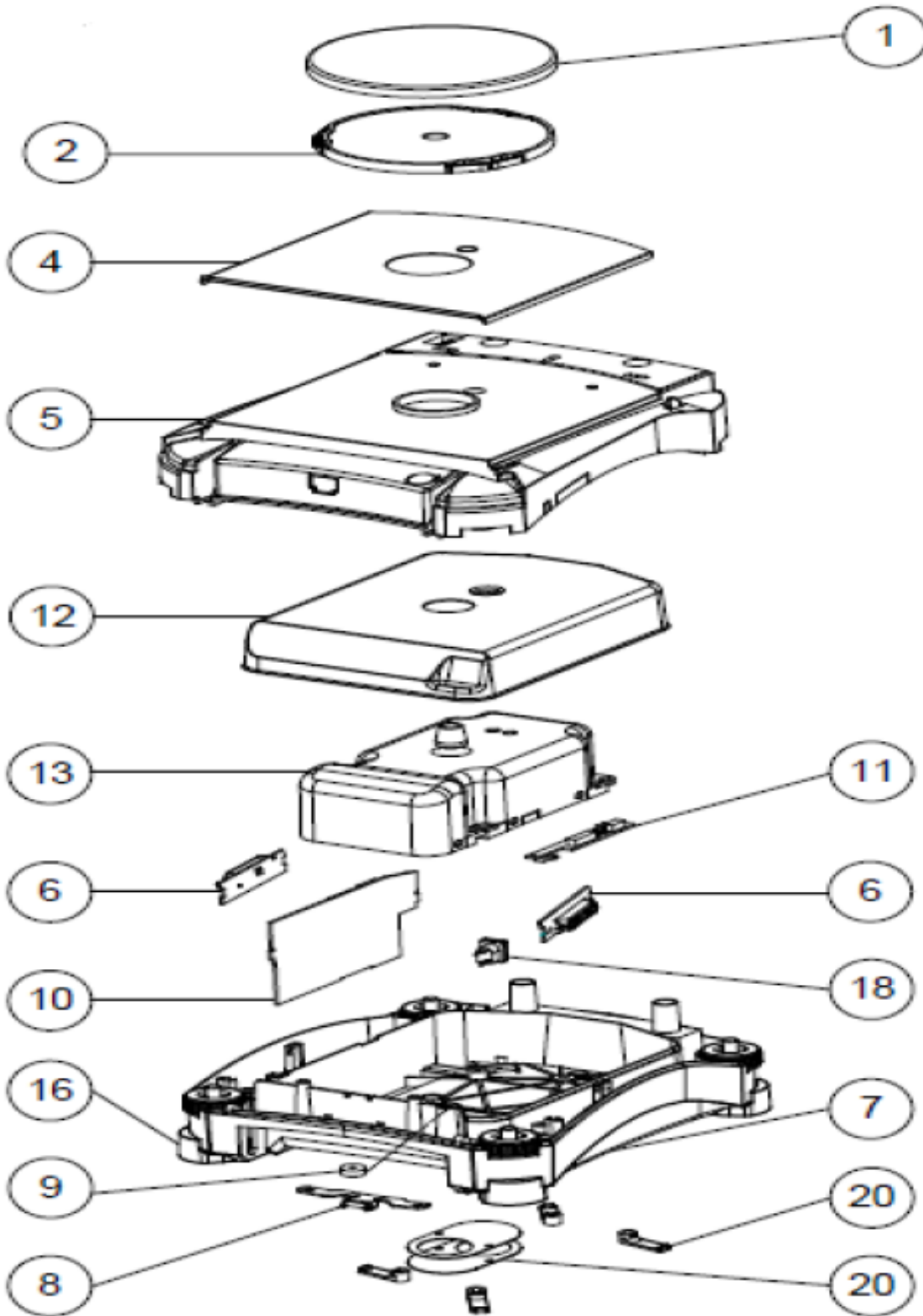
Part numbers are subject to change without notice.



Part numbers are subject to change without notice.

Drawing Item	Part Number	Description
1	83033640	Pan Assy, 90mm EX
3	83033645	Wind ring, 90mm
4	83033648	EMC plate-DS EX
5	83033637	Top Housing assy, DS EX
6	83033636	PCB, IR Sensor EX
7	83033639	Base EX
8	83033649	Latch Assy, Front-glass EX
9	83033650	Level Bubble EX
10	83033634	PCB, Main - Base EX
11	83033635	PCB, Connect - Base EX
12	83033658	LC Cover EX
13	83033659	Loadcell, Complete, EX124, EX224, EX224M, EX224N
13	83033660	Loadcell, Complete, EX324, EX324M, EX324N
16	83033652	Foot Switch Kit EX
18	83033656	Cable kit - Analytical EX
20	83033653	Hardware Kit EX
80	83033668	Box, Draftshield, EX
80	83033670	Packaging, complete, DS EX
80	46001884	Adapter (PSAA18U-120)
80	83020936	Line Cord CN
80	83020937	Line Cord AU
80	83020938	Line Cord US
80	83020939	Line Cord UK
80	83020940	Line Cord EU
80	83020941	Line Cord JP
80	83021396	Line Cord CH
80	83021397	Line Cord DK
80	83021398	Line Cord IL
80	83021399	Line Cord IT
80	83021400	Line Cord BR
80	30019740	SP Base SW Updating Tool EX

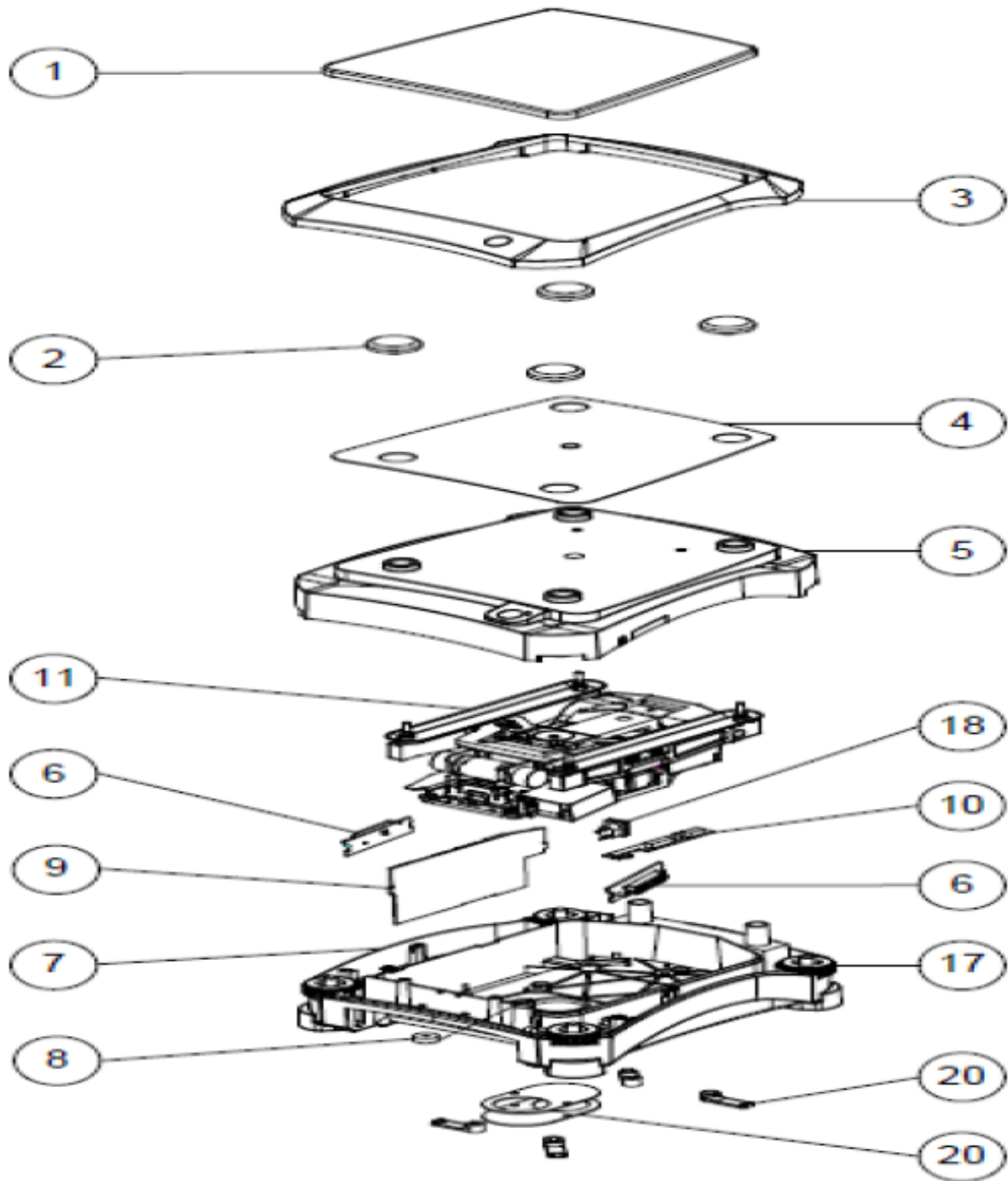
Part numbers are subject to change without notice.



Part numbers are subject to change without notice.

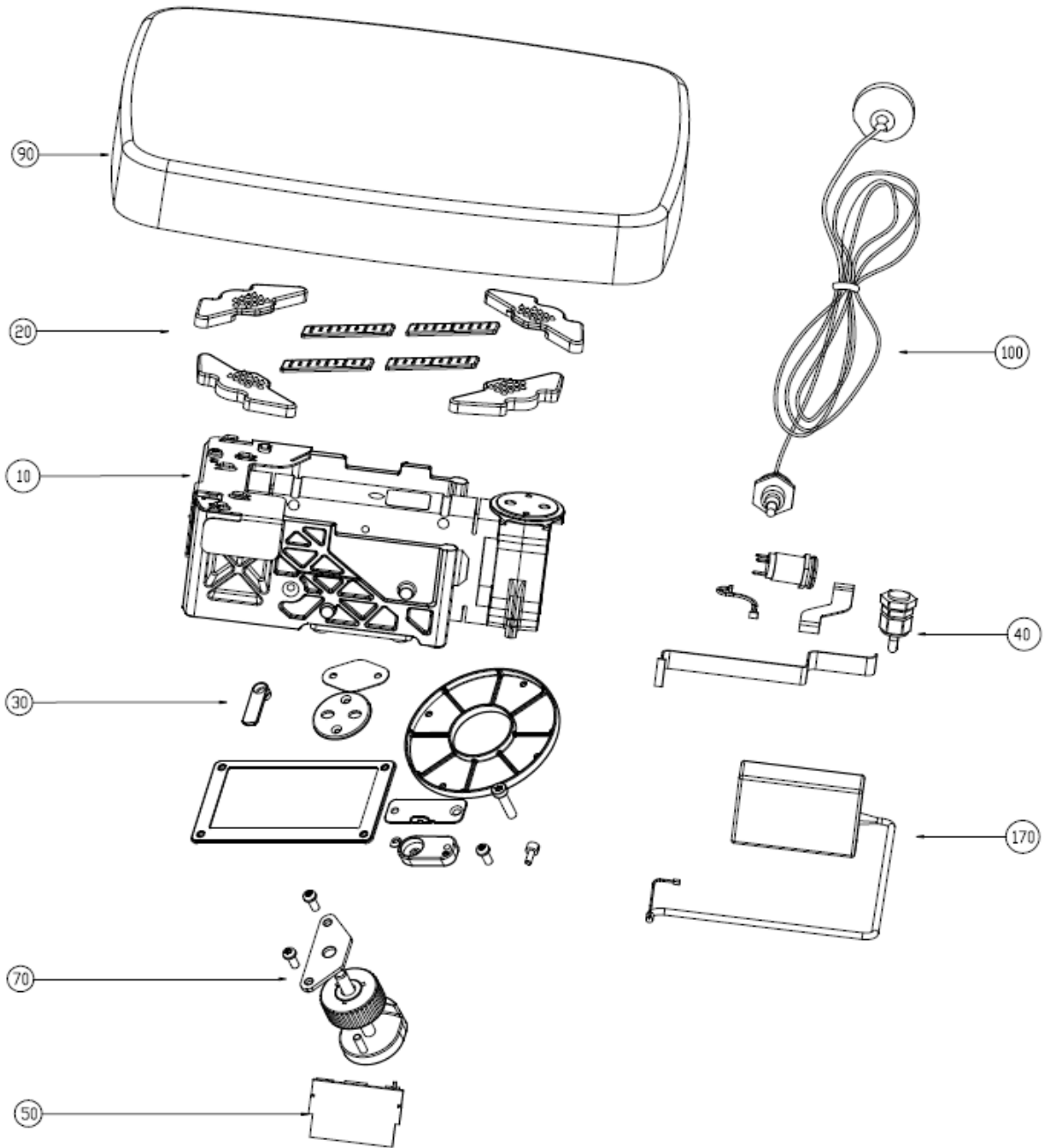
Drawing Item	Part Number	Description
1	83033641	Pan,130mm EX
2	83033642	Pan Support,130mm EX
4	83033648	EMC plate-DS EX
5	83033637	Top Housing assy, DS EX
6	83033636	PCB, IR Sensor EX
7	83033639	Base EX
8	83033649	Latch Assy, Front-glass EX
9	83033650	Level Bubble EX
10	83033634	PCB, Main - Base EX
11	83033635	PCB, Connect - Base EX
12	83033658	LC Cover EX
13	83033662	Loadcell, Complete, EX223,EX223N,EX223M, EX223G, EX223ZH, EX423, EX623, EX423N, EX423M
13	83033663	Loadcell, Complete, EX1103, EX1103N, EX1103M
13	30069225	Loadcell, Complete, EX223E, EX423E, EX223G/E, EX423G/E, EX223ZH/E, EX423ZH/E
16	83033652	Foot Switch Kit EX
18	83033656	Cable kit - Analytical EX
20	83033653	Hardware Kit EX
80	83033668	Box, Draftshield, EX
80	83033670	Packaging, complete, DS EX
80	46001884	Adapter (PSAA18U-120)
80	83020936	Line Cord CN
80	83020937	Line Cord AU
80	83020938	Line Cord US
80	83020939	Line Cord UK
80	83020940	Line Cord EU
80	83020941	Line Cord JP
80	83021396	Line Cord CH
80	83021397	Line Cord DK
80	83021398	Line Cord IL
80	83021399	Line Cord IT
80	83021400	Line Cord BR
80	30019740	SP Base SW Updating Tool EX

Part numbers are subject to change without notice.



Part numbers are subject to change without notice.

Drawing Item	Part Number	Description
1	83033643	Pan, Rect 18x21 cm EX
2	83033644	Pan Support, Rect Pan (4)
3	83033646	Wind shield (Rect)
4	83033647	EMC Plate-Precision EX
5	83033638	Top Housing assy, Precision EX
6	83033636	PCB, IR Sensor EX
7	83033639	Base EX
8	83033650	Level Bubble EX
9	83033634	PCB, Main - Base EX
10	83033635	PCB, Connect - Base EX
11	83033664	Loadcell, Complete EX2202, EX4202, EX4202M, EX4202N
11	83033665	Loadcell, Complete EX6202, EX6202E, EX6202G/E, EX6202ZH/E
11	83033666	Loadcell, Complete EX6201, EX6201/E, EX6201G/E, EX6201ZH/E
11	83033667	Loadcell, Complete EX10202, EX10201, EX10202M, EX10201M, EX10202N, EX10201N
11	30069226	Loadcell, Complete EX2202E, EX4202E, EX2202G/E, EX4202G/E, EX2202ZH/E, EX4202ZH/E
17	83033652	Foot Switch Kit EX
18	83033656	Cable kit - Analytical EX
20	83033653	Hardware Kit EX
80	83033669	Box, Topload, EX, AX
80	83033671	Packaging, complete, Precision EX
80	46001884	Adapter (PSAA18U-120)
80	83020936	Line Cord CN
80	83020937	Line Cord AU
80	83020938	Line Cord US
80	83020939	Line Cord UK
80	83020940	Line Cord EU
80	83020941	Line Cord JP
80	83021396	Line Cord CH
80	83021397	Line Cord DK
80	83021398	Line Cord IL
80	83021399	Line Cord IT
80	83021400	Line Cord BR
80	30019740	SP Base SW Updating Tool EX



Part numbers are subject to change without notice.

