

OVERVIEW

The Sabre Chair has an EXTREME load capacity. Can be used as stand alone or be ganged together. Can be bolted together, in place, as well as to the floor via concealed pilot holes. Can be easily filled with sand through ballast door on site to weigh down. Secures with tamperproof screws. **Manufactured to ISO Quality Standards in the USA.**

FABRICATION/MATERIAL

Durable, one piece, rotationally molded design for increased strength. Constructed with high impact "no break" polyethylene. Flame Retardant (as shown passes Cal 133). Test reports available upon request.

COLOR See chart, custom colors available upon request.

WEIGHT 38 lbs.

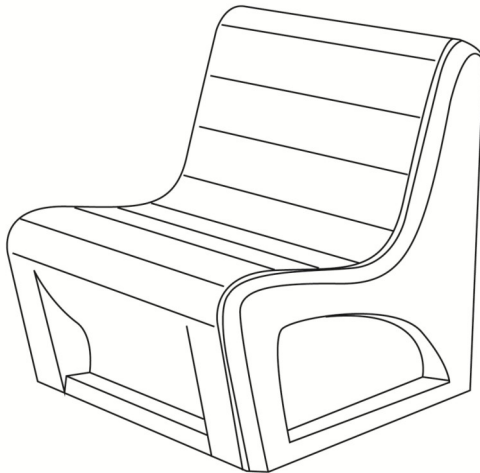
OPTIONS Can be bolted to the floor via concealed pilot holes and can be filled with sand through ballast door on site to weigh down.

ASSEMBLY N/A

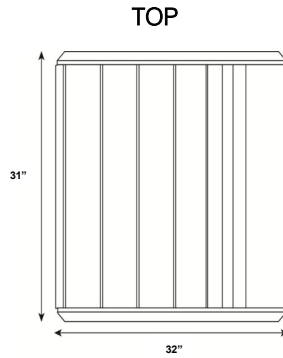
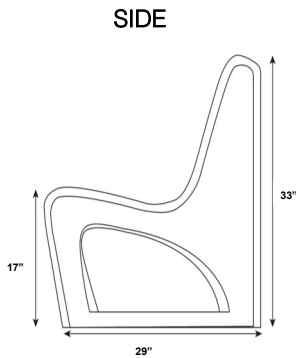
WARRANTY 10 Year Warranty.

MAINTENANCE Easy to clean and maintain with damp cloth. Resistant to stains.

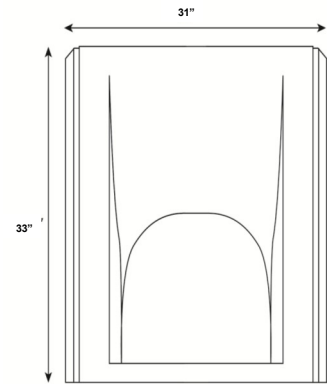
STATIC LOAD 1500 lbs.



Item #	Color
96484GR	Green
96484BK	Black
96484BR	Brown
96484BG	Blue Gray
96484SB	Slate Blue
96484GRS	Green w/Access Door
96484BKS	Black w/Access Door
96484BRS	Brown w/Access Door
96484BGS	Blue Gray w/Access Door
96484SBS	Slate Blue w/Access Door



BACK w/ACCESS DOOR



THE SABRE CHAIR BOLT LOCATIONS

