

# XB5RMB03

Harmony XB5, Pack with 1 wireless and batteryless plastic push button Ø22 + 1 non-configurable receiver + 1 set of caps, 24 V DC



## Main

|                           |   |
|---------------------------|---|
| Range of Product          | Harmony XB5R                              |
| Product or Component Type | Wireless and batteryless package          |
| Device short name         | XB5R                                      |
| Head material             | Plastic                                   |
| Frequency                 | 2405 MHz transmitter<br>2405 MHz receiver |
| Emission class            | 5M00G7W                                   |
| Antenna type              | Omnidirectional                           |

## Complementary

|                             |  |
|-----------------------------|--|
| Control type                | Wireless and batteryless push-button handy box assembled on fixing collar  |
| Type of receiver            | Non-programmable receiver 1 relay)   |
| [Us] Rated Supply Voltage   | 24 V DC  |
| Kit composition             | 1 transmitter<br>1 set of caps<br>1 receiver<br>1 fixing collars<br>1 0.87 in (22 mm)<br>1 push-button head 0.87 in (22 mm)<br>1 handy box |
| Communication port protocol | Zigbee IEEE 802.15.4   |
| Max power consumption in W  | 1 mW   |
| Number of Channels          | 1  |
| Modulation technique        | O-QPSK   |
| Bandwidth                   | 5 MHz  |
| Antenna gain                | 0 dBi  |
| Customizable                | No   |
| Compatibility code          | XB5R   |
| [Us] rated supply voltage   | 24 V   |

## Environment

|                        |   |
|------------------------|---|
| Product Certifications | UL<br>GOST<br>CCC<br>C-tick<br>CSA                              |
| Marking                | CE  |
| Standards              | CSA C22.2 No 14<br>EN/IEC 60947-5-1<br>EN/IEC 60947-1<br>UL 508 |
| Radio agreement        | RSS<br>SRRC<br>ICASA<br>FCC<br>ANATEL<br>ARIB T66               |

## Ordering and shipping details

|                       |                                   |
|-----------------------|-----------------------------------|
| Category              | 22470 - XB5R WIRELESS PUSH BUTTON |
| Discount Schedule     | I                                 |
| GTIN                  | 3606480334467                     |
| Nbr. of units in pkg. | 1                                 |
| Package weight(Lbs)   | 9.31 oz (264 g)                   |
| Returnability         | Yes                               |
| Country of origin     | FR                                |

## Packing Units

|                              |                         |
|------------------------------|-------------------------|
| Unit Type of Package 1       | PCE                     |
| Package 1 Height             | 3.62 in (9.2 cm)        |
| Package 1 width              | 4.13 in (10.5 cm)       |
| Package 1 Length             | 4.25 in (10.8 cm)       |
| Unit Type of Package 2       | S03                     |
| Number of Units in Package 2 | 16                      |
| Package 2 Weight             | 10.54 lb(US) (4.779 kg) |
| Package 2 Height             | 11.81 in (30 cm)        |
| Package 2 width              | 11.81 in (30 cm)        |
| Package 2 Length             | 15.75 in (40 cm)        |

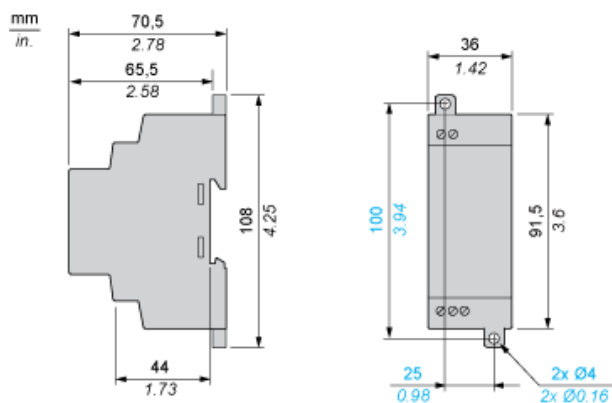
## Offer Sustainability

|                            |  |
|----------------------------|--|
| Sustainable offer status   | Green Premium product  |
| California proposition 65  | WARNING: This product can expose you to chemicals including: Nickel compounds, which is known to the State of California to cause cancer, and Di-isodecyl phthalate (DIDP), which is known to the State of California to cause birth defects or other reproductive harm. For more information go to <a href="http://www.P65Warnings.ca.gov">www.P65Warnings.ca.gov</a> |
| REACH Regulation           | <a href="#">REACH Declaration</a>  |
| EU RoHS Directive          | Pro-active compliance (Product out of EU RoHS legal scope) <a href="#">EU RoHS Declaration</a>   |
| Mercury free               | Yes  |
| RoHS exemption information | <a href="#">Yes</a>  |
| China RoHS Regulation      | <a href="#">China RoHS Declaration</a>   |
| Environmental Disclosure   | <a href="#">Product Environmental Profile</a>  |
| Circularity Profile        | <a href="#">End Of Life Information</a>  |
| WEEE                       | The product must be disposed on European Union markets following specific waste collection and never end up in rubbish bins.   |

## Contractual warranty

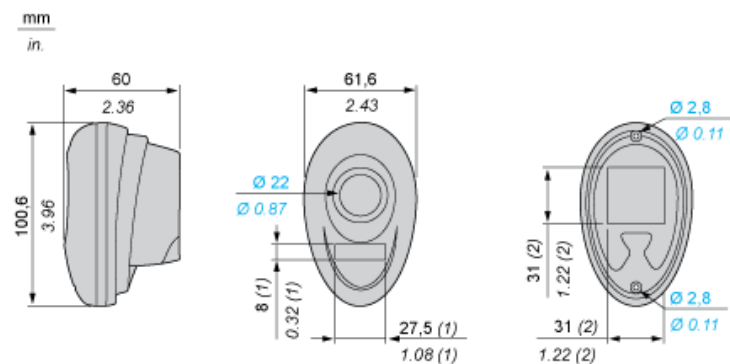
|          |           |
|----------|-----------|
| Warranty | 18 months |
|----------|-----------|

Non-Programmable Receiver



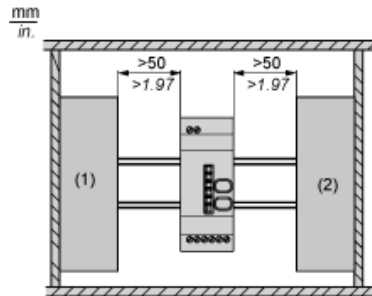
Wireless and Batteryless Pushbutton - Transmitter

Plastic Handy Box for Mobile Use



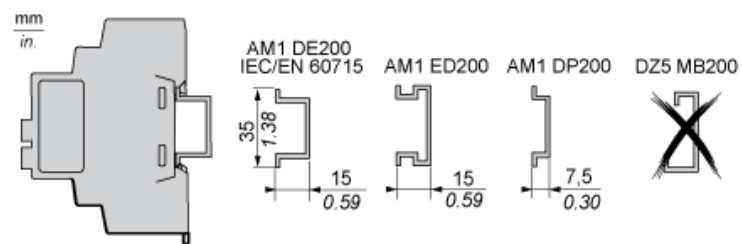
- (1) Location for ZBY0101T legend.
- (2) Location for magnet to be stuck on by the customer.

Receiver Clearance



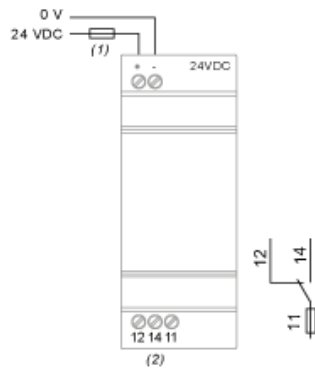
- (1) Drive
- (2) Power Supply or PLC

Receiver Mounting



## Non-Programmable Receiver

### Wiring Diagram



- (1) 125 mA fast-blow fuse
- (2)  $I_{max} = 3 \text{ A}$