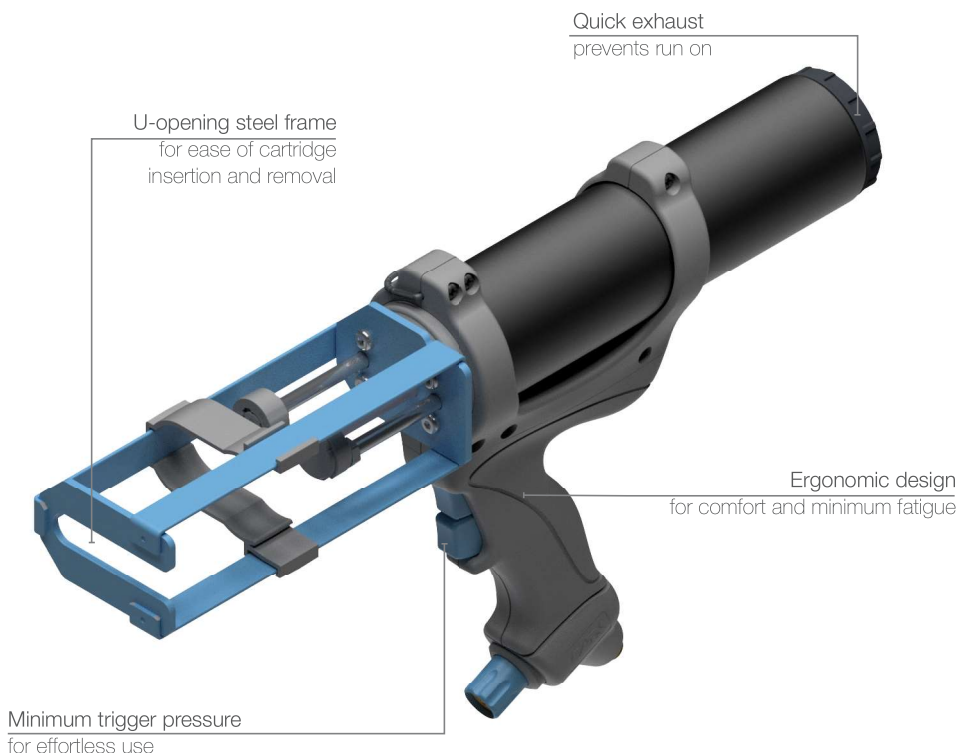




COX™ 2-Component Dispenser

AirFlow™ 3 VBA 200B MR

A 2-component pneumatic 200mL dispenser for cartridges.



Model shown: AirFlow 3 VBA 200B 200mL

Product advantages

- Air return as standard
- Minimum trigger pressure
- U-opening steel frame
- Quick exhaust valve
- Quiet operation
- Warranty up to 2 years*

Customer benefits

- Fast, accurate and effortless application
- For effortless use and minimum fatigue
- Ease of cartridge insertion and removal
- Prevents run-on
- Less than 70dB
- Gives you long worry free performance

Applications



Product by range



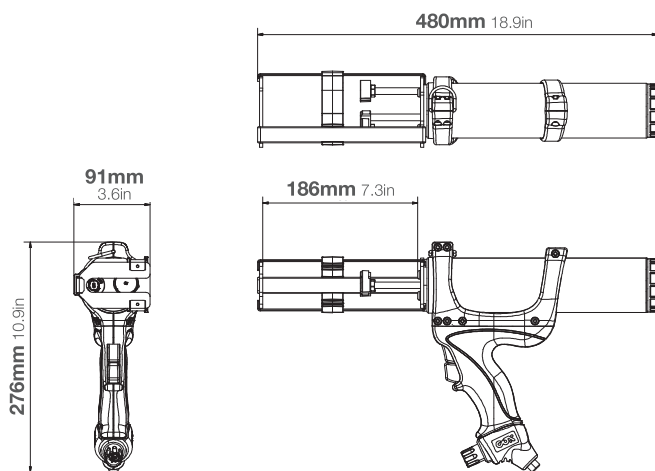
*Effective 1st July 2018

The **AirFlow 3 VBA 200B MR** is part of a range of pneumatic dispensers, designed for use with low to medium viscosity sealants and adhesives.

Specifications

- Weight: 2.2kg / 4.8lbs
- Frame Length: 216mm / 8.5in
- Maximum Thrust: 2.2kN
- Maximum Pneumatic Pressure: 6.8bar / 100psi
- Air Consumption: 40 litres/min
- Handle Material: Glass Filled Nylon
- Frame Material: Steel
- Tool Component Approvals: CE, REACH
- Cartridge Capacity: 200mL (7oz)
- Cartridge Ratio: 1:1, 2:1, 4:1, 10:1
- Viscosity: Low/Medium
- Standard Color: Black/Blue
- Customized versions on demand

Dimensions



Part number:

A200LPMR-S3 (US)

Article number:

SP 1750R

Packaging:

1 per Box

Matching MIXPAC™ side-by-side cartridges



C-System/F-System
200mL / 1:1 PP/PA



C-System/F-System
200mL / 2:1 PP/PA



C-System/F-System
200mL / 4:1 PP/PA/PBT



C-System/F-System
200mL / 10:1 PP/PA/PBT

Compatible cartridges



Plastic Cartridge
200mL / 1:1 PP

1:1	mm	inch
a	144.0	5.7
b	Ø37.0	Ø1.5



Plastic Cartridge
200mL / 2:1 PP

2:1	mm	inch
a	148.0	5.82
b	Ø44.0	Ø1.73
c	Ø31.0	Ø1.22



Plastic Cartridge
200mL / 10:1 PP

10:1	mm	inch
a	147.0	5.78
b	Ø55.0	Ø2.17
c	Ø19.0	Ø0.74

Conversion kits

Matching accessories