



COX™ 2-Component Dispenser

MPD

A 2-component manual 50mL dispenser for cartridges.

Simple breech loading mechanism ensures cartridges are held securely

Minimum trigger pressure for effortless use



Ergonomic handle and trigger provide for comfort and minimum fatigue

Model shown: MPD 50mL

Product advantages

- Engineered to provide high thrust
- Simple breech loading mechanism
- Warranty up to 2 years*

Customer benefits

- Easy comfortable operation
- Ensures cartridges are held securely
- Gives you long worry free performance

Applications



Bonding

Product by range



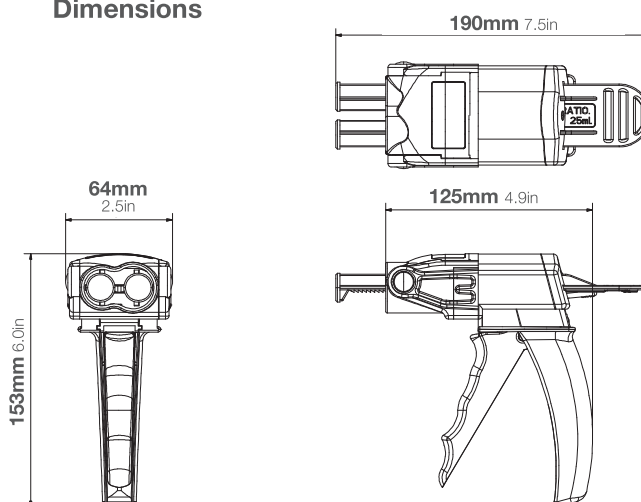
MPD

The **MPD** is part of a range of manual bi-mixer dispensers, designed for use with medium to high viscosity sealants and adhesives.

Specifications

- Weight: 0.2kg/0.4lbs
- Frame Length: 125mm 4.9in
- Maximum Thrust: 3.5kN
- Handle Material: Plastic
- Frame Material: Plastic
- Tool Component Approvals: REACH
- Cartridge Capacity: 50mL (1.7oz)
- Cartridge Ratio: 1:1, 2:1, 4:1, 10:1
- Mechanical Advantage Ratio:16:1
- Viscosity: Medium/High
- Standard Color: Grey/Blue
- Customized Versions: Yes

Dimensions



Part number:

MPD-1 (US)
 MPD-2 (US)
 MPD-3 (US)
 MPD-4 (US)
 MP25 (US) multi-ratio

Article number:

BS1005 (1:1)
 BS2005 (2:1)
 BS3000 (4:1)
 BS4001 (10:1)

Packaging:

50 per Box / 1 per Box (US)
 50 per Box / 1 per Box (US)
 50 per Box / 1 per Box (US)
 50 per Box / 1 per Box (US)

Matching MIXPAC™ side-by-side cartridges



A-System Cartridge

50mL 1:1, 2:1, 4:1, 10:1 / PP/PA



B-System Cartridge

50mL 1:1, 2:1, 4:1, 10:1 / PP/PA

Compatible side-by-side cartridges



Plastic Cartridge

50mL / 1:1 PP

1:1	mm	inch
a	100.0	3.94
b	Ø21.5	Ø0.85

Conversion kits

Matching accessories