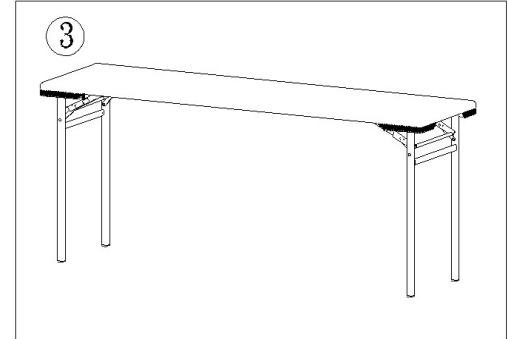
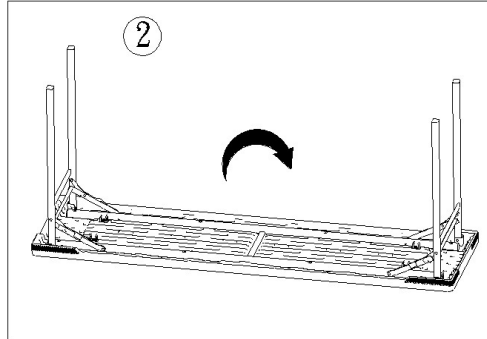
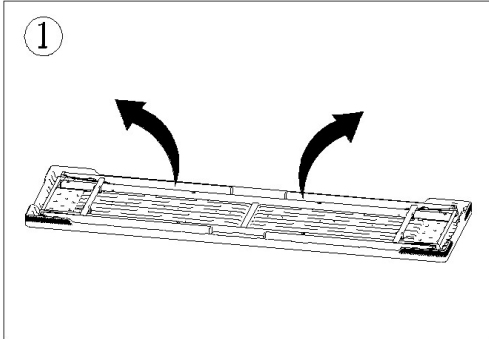
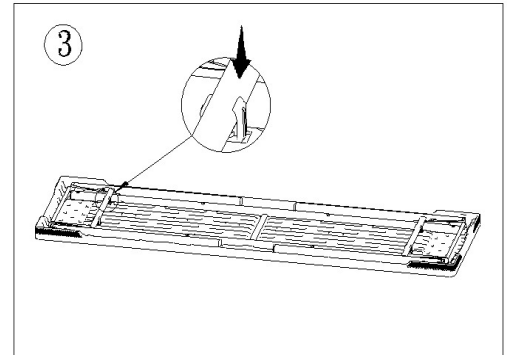
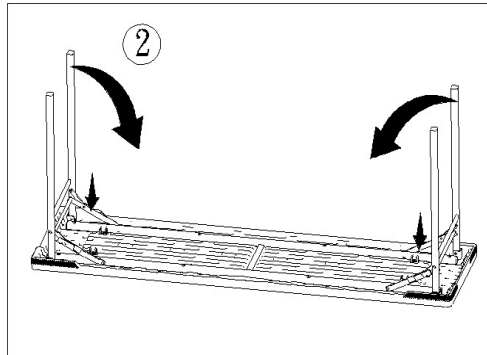
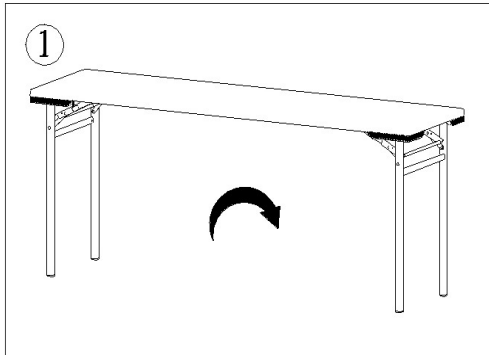


TO Open:



TO lock legs, with the table top facing down, pull up on round locking bar until you hear or feel it snap into place.
Do not use this table without first locking table legs.

TO Fold:



Make sure that the round locking bars are well positioned into the plastic locks.