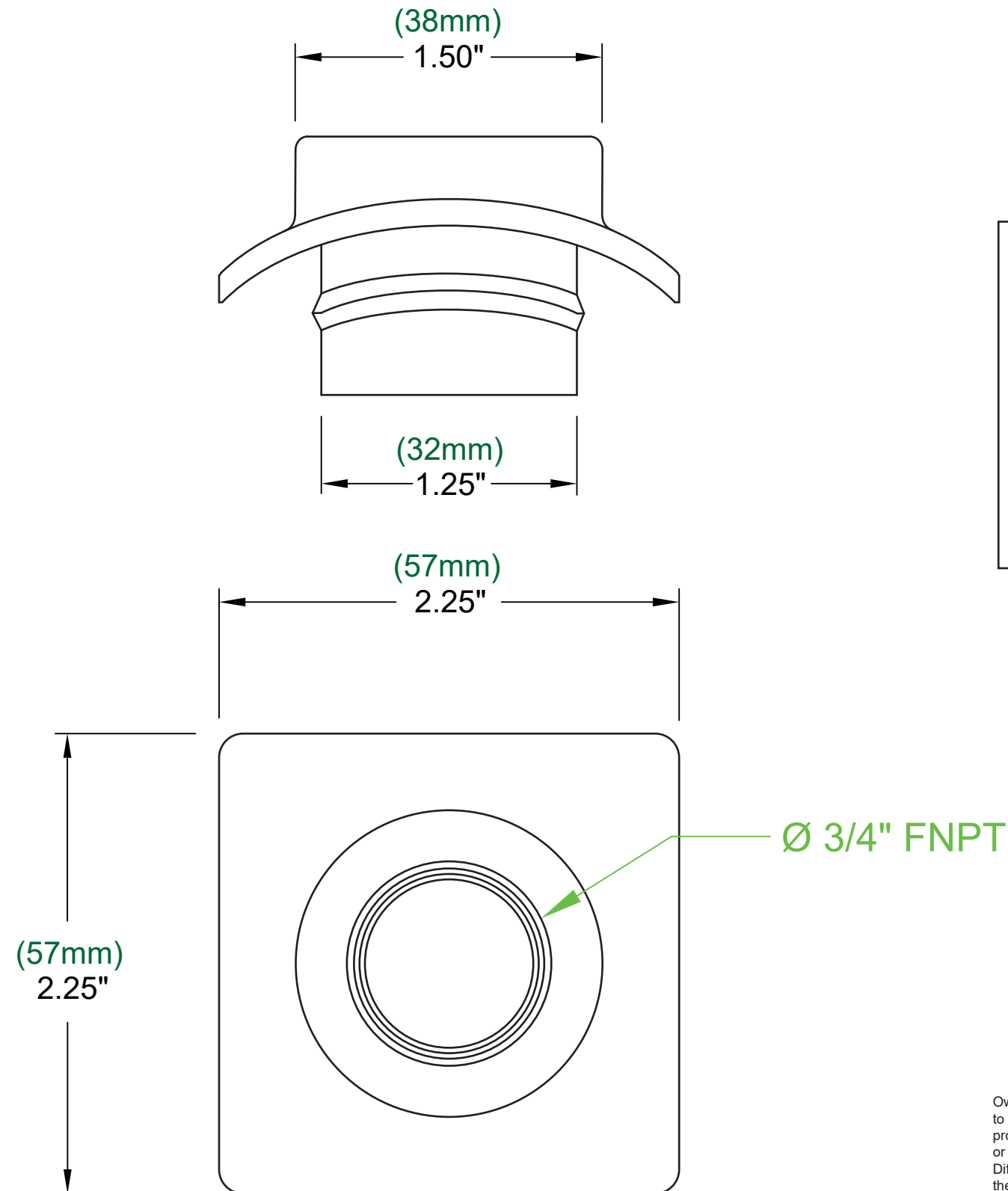


PART NUMBER	MATERIAL	Size
AB-70015	Polypropylene	3/4" FNPT

Universal Diffuser Mount



- For use with 2" - 8" pipe
- Can be glued to PVS or ABS pipe
- Accepts 3/4" MNPT diffuser connection

To Install:

- Drill a 1 1/4" diameter hole
- Debur hole
- Install diffuser mount
- Screw in diffuser

Ownership of this document and all accompanying information and data including but not limited to all applicable copyrights, trade secrets, patents and other intellectual property remain the property of Atlantic Diffusers and are not to be copied, duplicated or reproduced, nor transmitted or disclosed to a third party without express written permission from Atlantic Diffusers. Atlantic Diffusers makes no representation or warranties, express or implied, with respect to the reuse of the data provided herewith, regardless of its format or the means of its transmission. The user accepts the data "as is", and assumes all risks associated with its use.