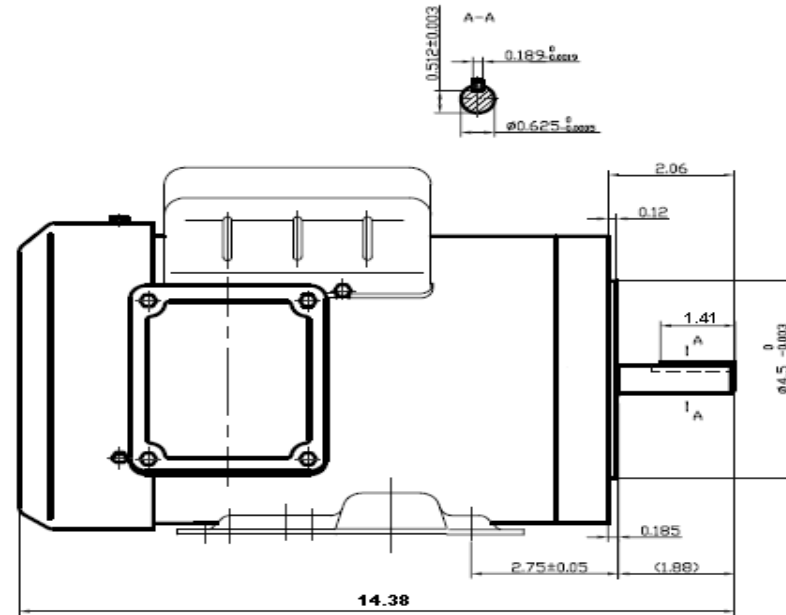
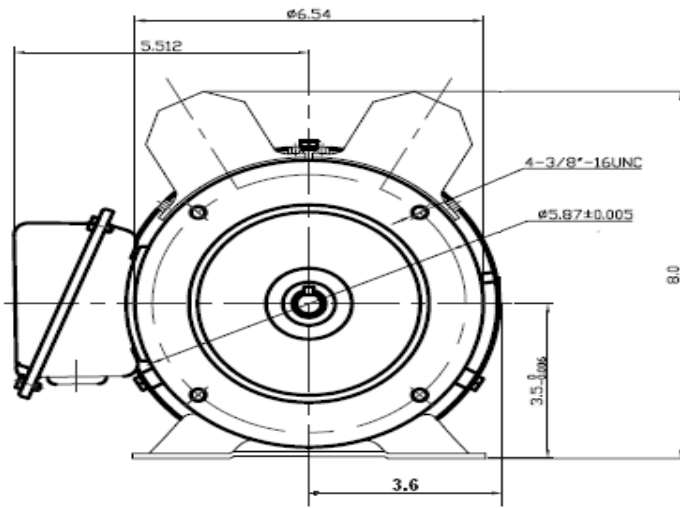


11G255

REV.
-

NOTE: DIMENSION WITHOUT TOLERANCE IS A REFERENCE DIMENSION UNLESS OTHERWISE INDICATED.

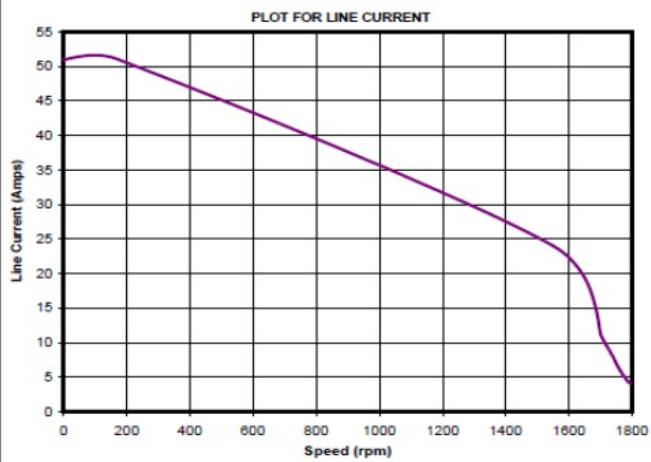
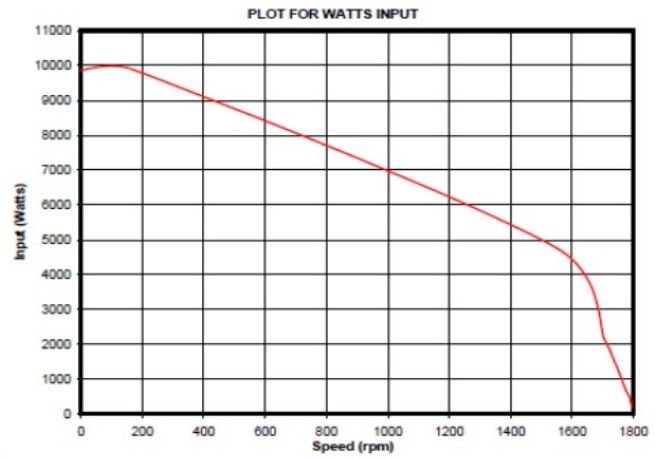
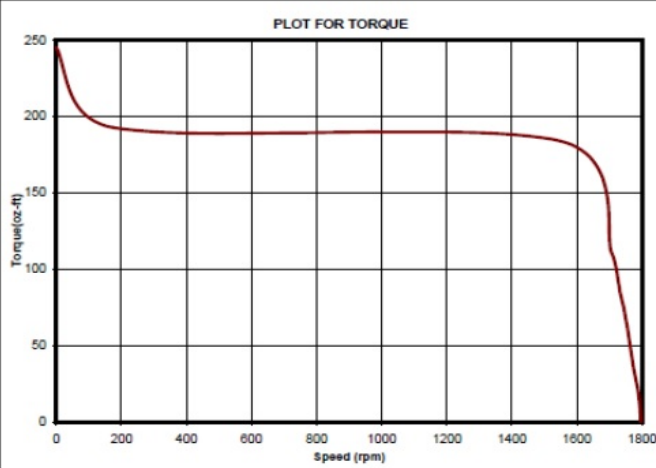


DRAWING NO. PAGE 1 of 1 REV.
11G255 -

11G255

REV.

-



Model No. 11G255 Curve at 230VAC, 60 Hz, 1.5 HP, 1745 RPM

Motor Specifications:

HP:	1.5	Hz:	60
Speed:	1745	Frame:	56HC
Voltage:	115/208-230	Enclosure:	TEFC
FLA:	14.8 / 7.6-7.4	Ins. Class:	F
SFA:	16.9 / 8.7-8.45	SF:	1.15
Duty:	Cont.	Ambient:	40°C
Therm. Prot.:	None	KVA Code:	K

Specific Motor Load Points:

Nameplate Rating (oz-ft):	71.9
Breakdown Torque (oz-ft):	184.0
Locked Rotor Torque (oz-ft):	245.0
Locked Rotor Current (Amp.):	50.0
Pull-Up Torque (oz-ft):	193.0

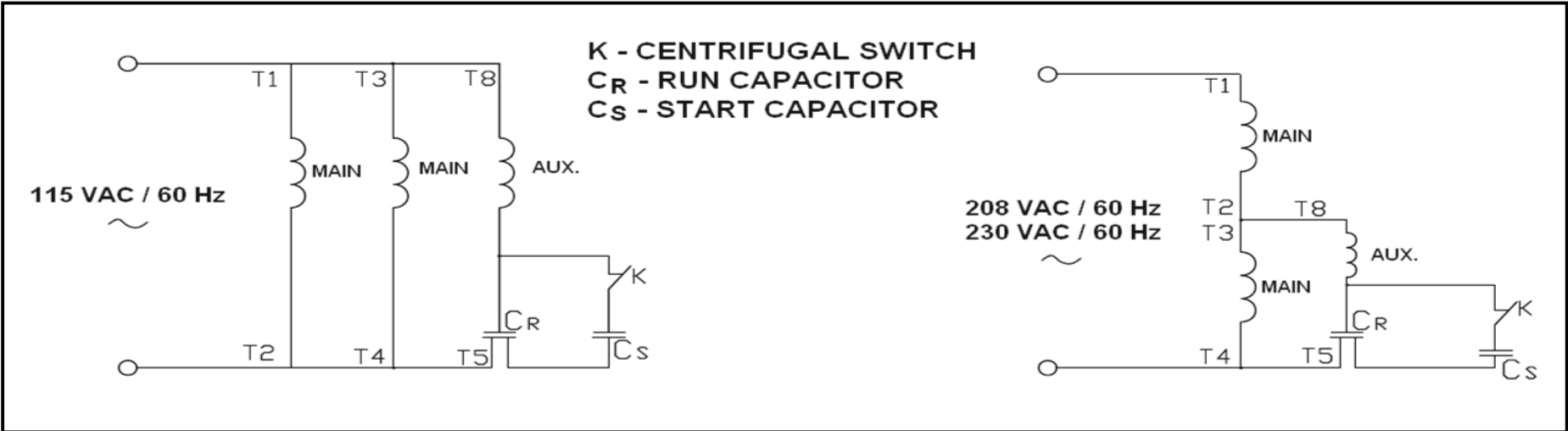
Date: 08/03/11 Prepared By: J. Weldon

Wiring Diagram



11G255

REV.
-



DRAWING NO.	PAGE 1 of 1	REV.
11G255		-