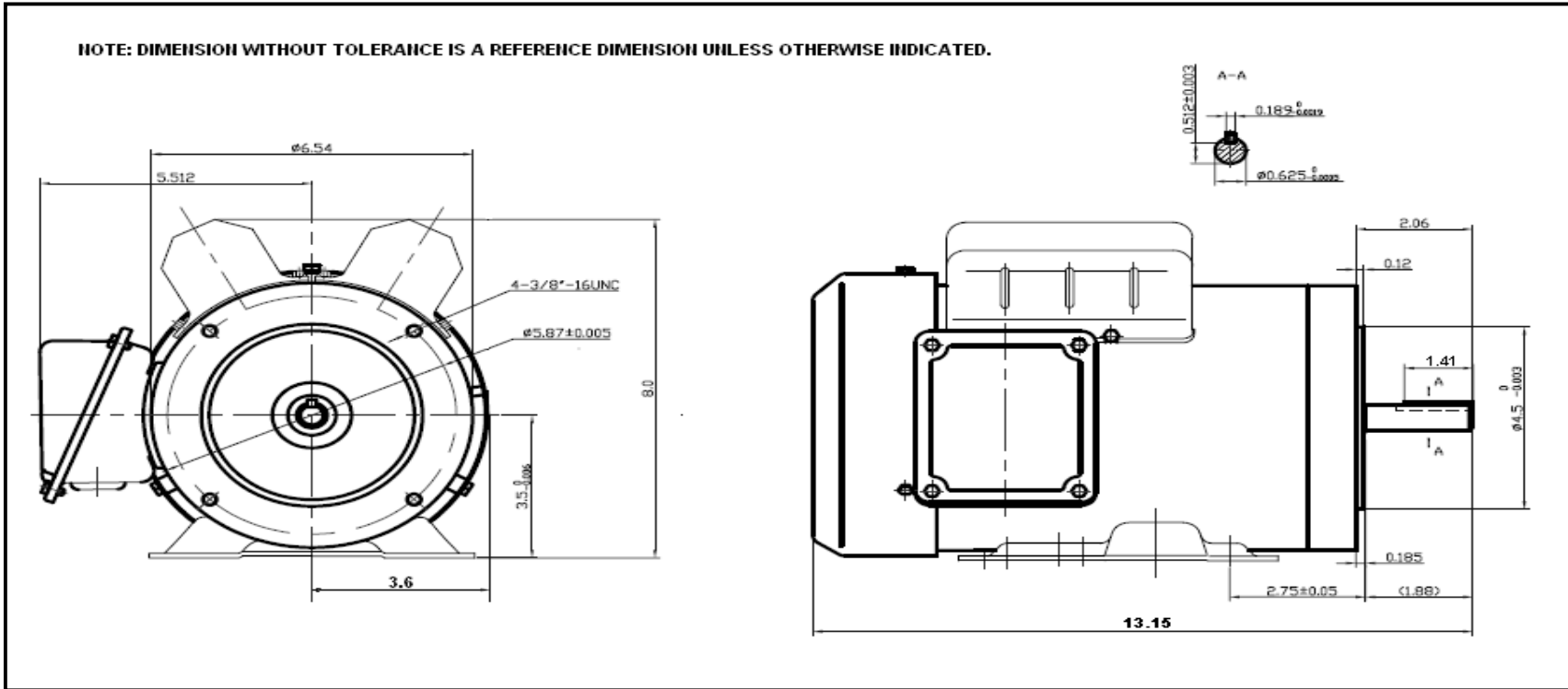


11G252

REV.
-

NOTE: DIMENSION WITHOUT TOLERANCE IS A REFERENCE DIMENSION UNLESS OTHERWISE INDICATED.

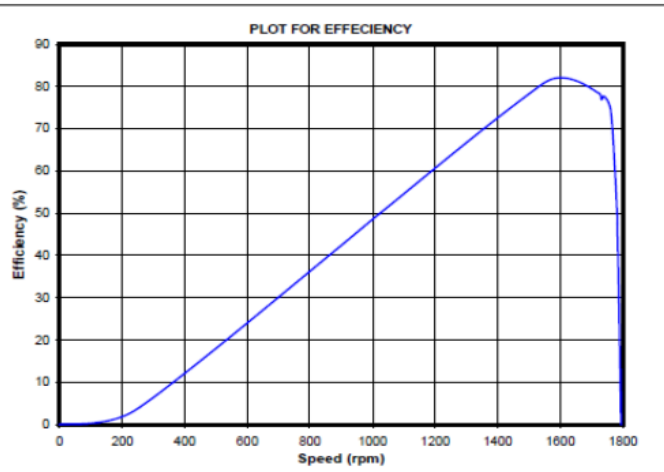
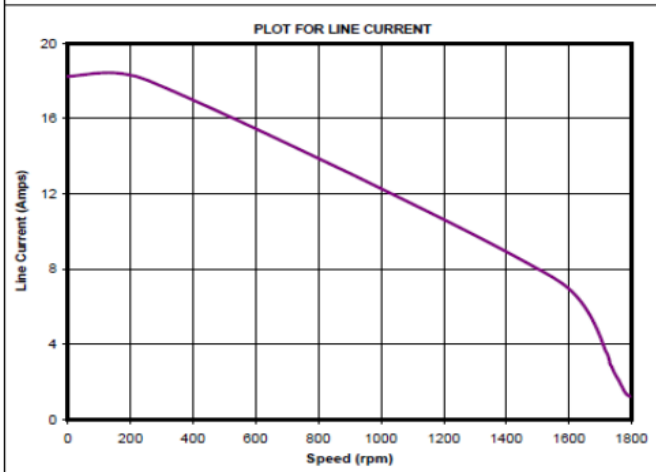
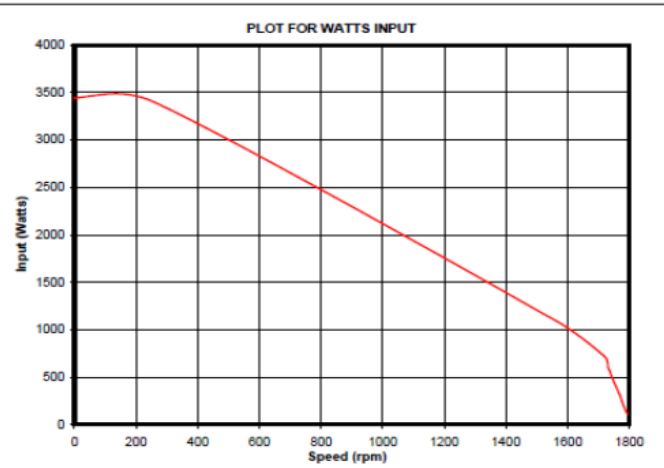
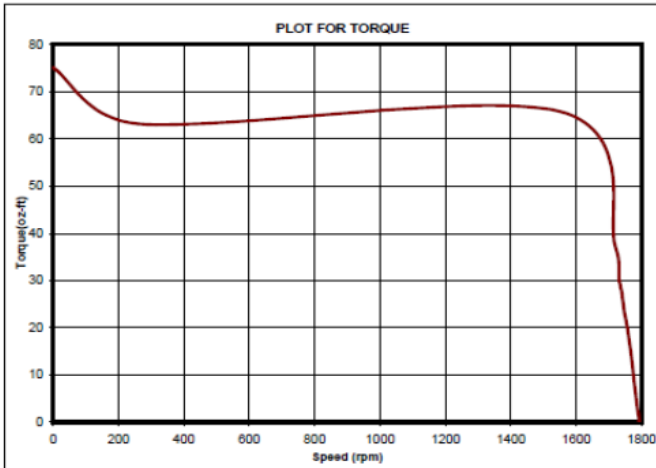


DRAWING NO. PAGE 1 of 1 REV.
11G252 -

11G252

REV.

-



Model No. 11G252 Curve at 230VAC, 60 Hz, 0.5 HP, 1745 RPM

Motor Specifications:

HP:	0.5	Hz:	60
Speed:	1745	Frame:	56HC
Voltage:	115/208-230	Enclosure:	TEFC
FLA:	5.0 / 2.6 - 2.5	Ins. Class:	F
SFA:	5.6 / 2.9 - 2.8	SF:	1.15
Duty:	Cont.	Ambient:	40°C
Therm. Prot.:	None	KVA Code:	L

Specific Motor Load Points:

Nameplate Rating (oz-ft):	24.2
Breakdown Torque (oz-ft):	65.8
Locked Rotor Torque (oz-ft):	75.2
Locked Rotor Current (Amp.):	18.3
Pull-Up Torque (oz-ft):	63.2

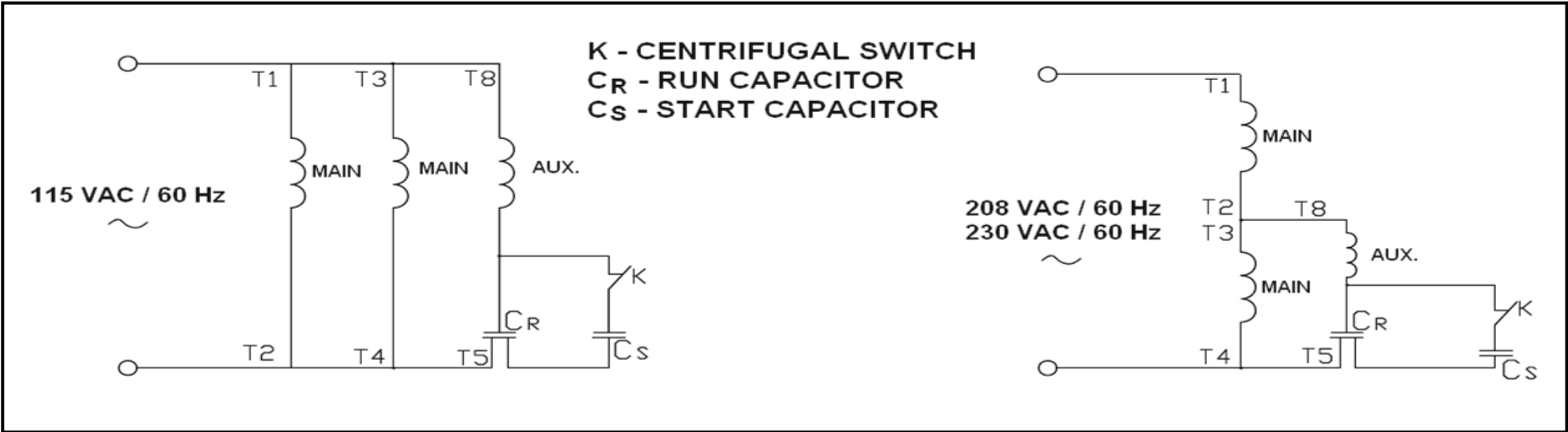
Date: 11/02/11 Prepared By: J. Weldon

Wiring Diagram



11G252

REV.
-



DRAWING NO.	PAGE 1 of 1	REV.
11G252		-