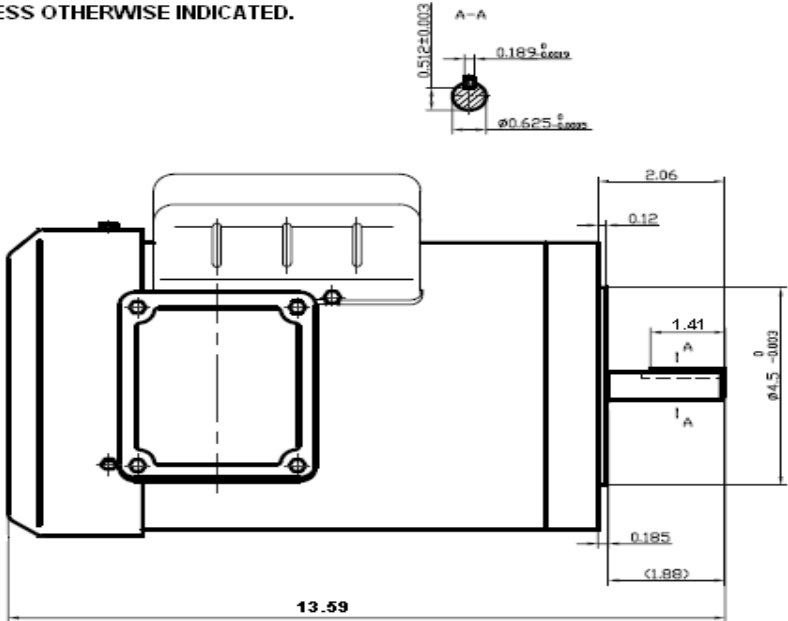
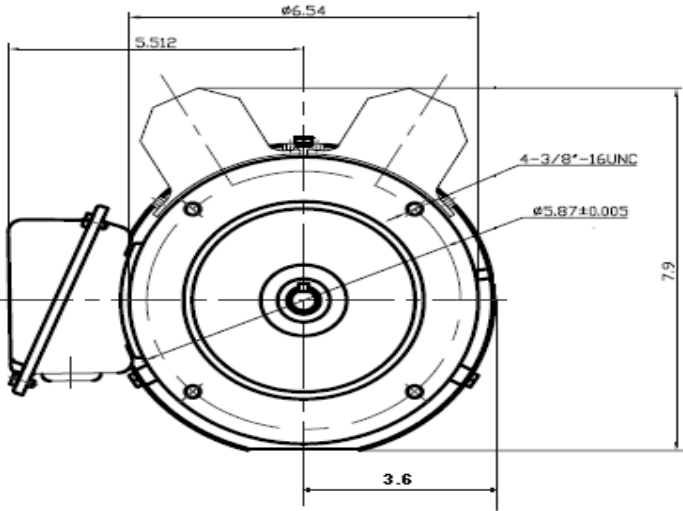


11G245

REV.

-

NOTE: DIMENSION WITHOUT TOLERANCE IS A REFERENCE DIMENSION UNLESS OTHERWISE INDICATED.

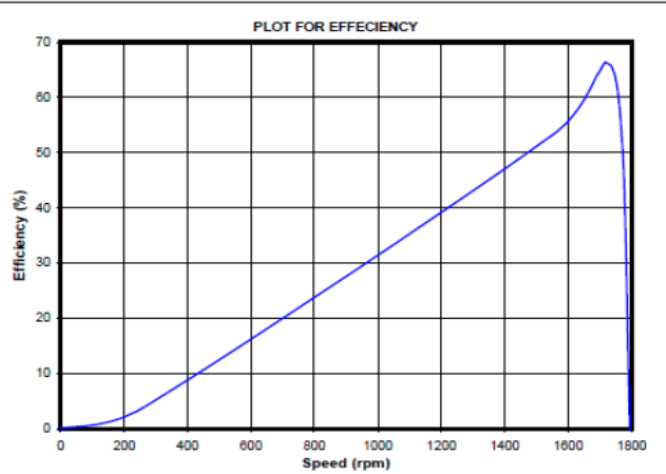
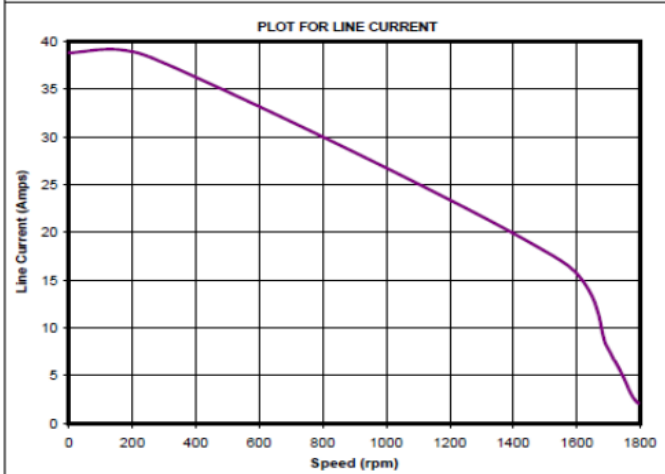
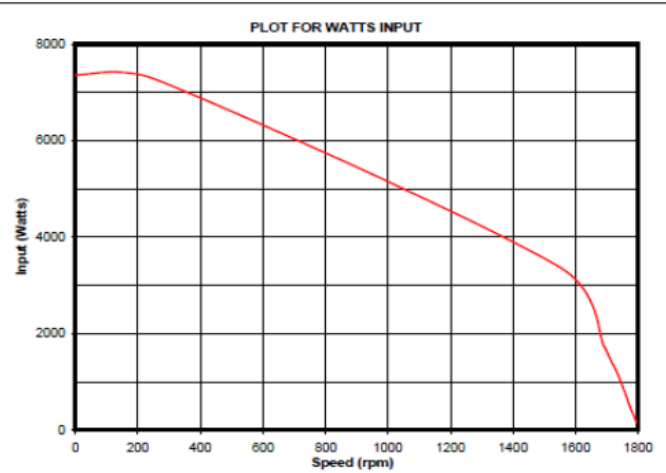
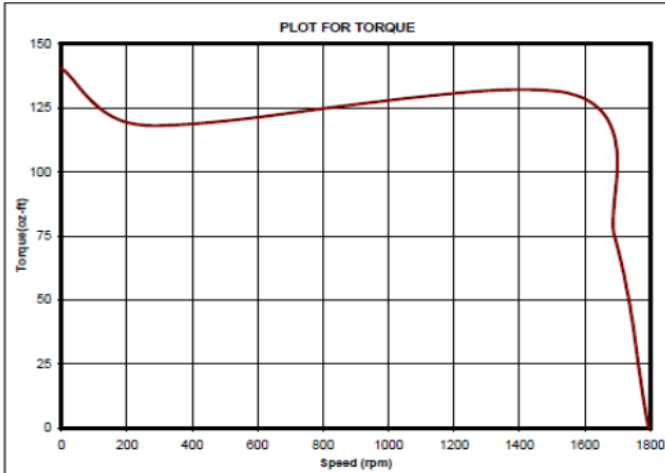


DRAWING NO. PAGE 1 of 1 REV.
11G245 -

11G245

REV.

-



Model No. 11G245 Curve at 230VAC, 60 Hz, 1.0 HP, 1745 RPM

Motor Specifications:

HP:	1	Hz:	60
Speed:	1745	Frame:	56C
Voltage:	115/208-230	Enclosure:	TEFC
FLA:	11.2/5.8-5.6	Ins. Class:	F
SFA:	12.6/6.5-6.3	SF:	1.15
Duty:	Cont.	Ambient:	40°C
Therm. Prot.:	None	KVA Code:	K

Specific Motor Load Points:

Nameplate Rating (oz-ft):	
Breakdown Torque (oz-ft):	
Locked Rotor Torque (oz-ft):	
Locked Rotor Current (Amp.):	
Pull-Up Torque (oz-ft):	

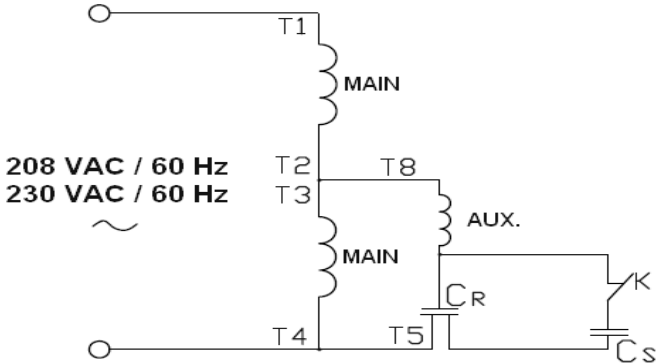
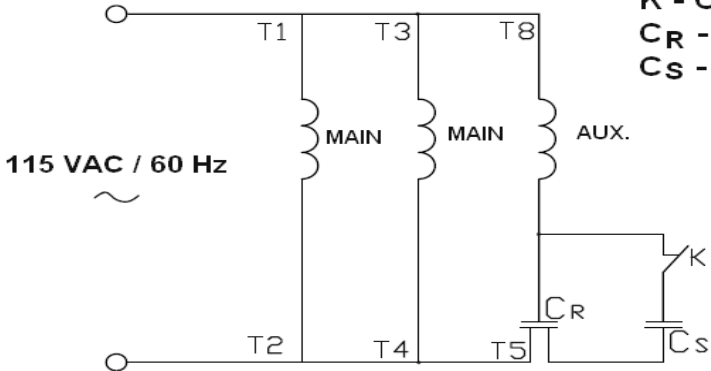
Date: 08/03/11 Prepared By: J. Weldon

11G245

REV.
-

WIRING DIAGRAM

K - CENTRIFUGAL SWITCH
C_R - RUN CAPACITOR
C_S - START CAPACITOR



DRAWING NO. PAGE 1 of 1 REV.
11G245 -