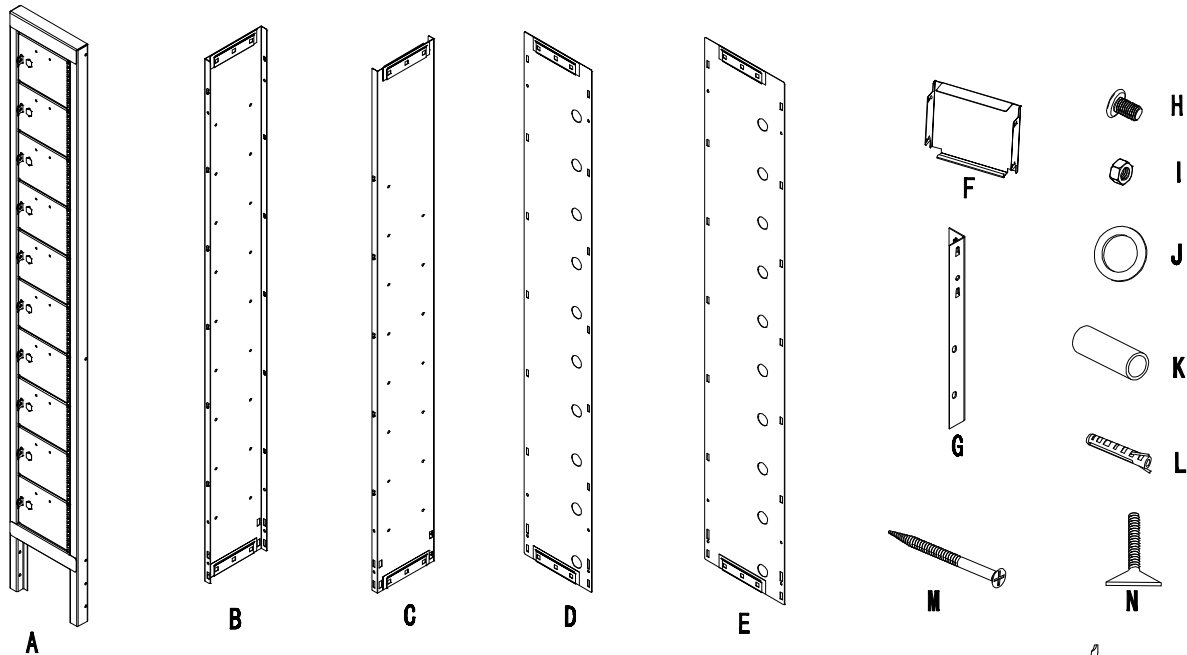


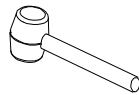
# Operation Instruction & Parts Manual

## Cell Phone Locker

Model#:10Y618,10Y619,10Y620,10Y621,10Y622,10Y623



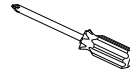
### Required Tools:



Rubber Mallet



Wrench



Phillips Screwdriver



Flathead Screwdriver

### General Instructions:

It is recommended that the lockers be assembled by more than one person. The use of a level and flat service during assembly is recommended. During shipping and handling some of the tabs used for assembly may have closed together. Use a flat tipped screwdriver or your hands to reopen the tabs. (See the illustration to the right.)



### Safety Instructions:

Use Caution when handling and assembling metal parts. The use of protective gloves is recommended.

- This unit should not be used for anything other than its intended storage use.
- Do not store loose or heavy items on the top shelves or on the top of the unit.
- Do not step on the lockers.
- Do not hang from hooks or door frame.
- Always remember to use proper lifting techniques when moving either the boxed or assembled unit.

Model No.	Description	Parts													
		A Door Frame	B Side	C Inner Side	D Back	E Middle Back	F Top, Shelf and Bottom	G Leg	H Screw	I Nut	J * O-Ring	K Tube	L Plastic Anchor	M Long Screw	N * Leg Leveler
10Y618 10Y619 10Y620	1 Wide Cell Phone Locker	1	2		1		11	2	48	48	10	2	2	2	4
10Y621 10Y622 10Y623	3 Wide Cell Phone Locker	3	2	2	2	1	33	4	102	102	30	4	4	4	8

Note: \* are Replacement Parts:

O-Ring Part#: MH10Y618ORING

Leg Lever Part#: MH10Y618LEGLEVERG

# Operation Instruction & Parts Manual

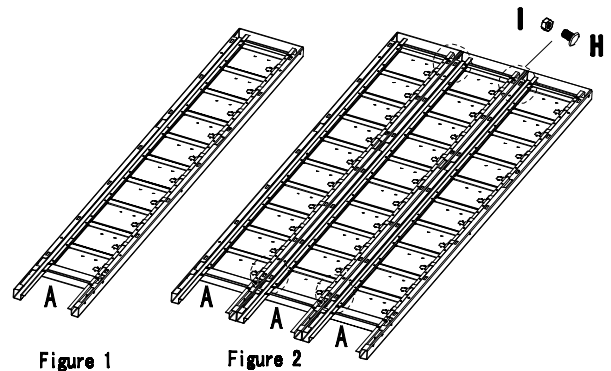
Model#:10Y618,10Y619,10Y620,10Y621,10Y622,10Y623

## Step 1- Side Assembly

Place the door frame on foam with frame face down. (Figure 1)

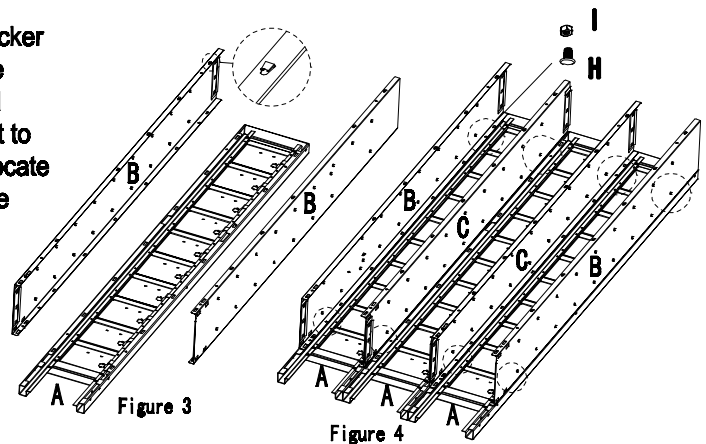
Assembly for 1 Wide Cell Phone Locker (A): To connect the door frame together, use screws and nuts (Parts H and I) to fasten the top and bottom holes. (Figure 2)

Position one of the Sides (B) so that the openings of both the top and bottom holding flange are towards the top of the unit. Next place the tabs of the sides into the openings of the frame. (During shipping and handling some of the tabs used for assembly may have closed together. Use a flat tipped screwdriver or your hands to reopen the tabs.) In order to make sure that all the tabs are aligned and inserted correctly into the openings gently use a rubber mallet to lightly tap the top of the side down until the tabs are fully seated. Locate the 2 round holes (one on the top and one on the bottom) on the side (B) and use screws (H) and nuts (I) to fasten into the top and bottom hole. Repeat this process for the opposite side.



Assembly for the back panel (D) of the 3 Wide Cell Phone Locker (Figure 6): Place the tabs of the sides into the openings of the frame. In order to make sure that all the tabs are aligned and inserted correctly into the openings gently use a rubber mallet to tap the top of the side down until the tabs are fully seated. Locate the 4 round holes (two on the top and two on the bottom). Use screws (H) and nuts (I) to fasten the back panel.

Note: Do not completely tighten the four middle screws.

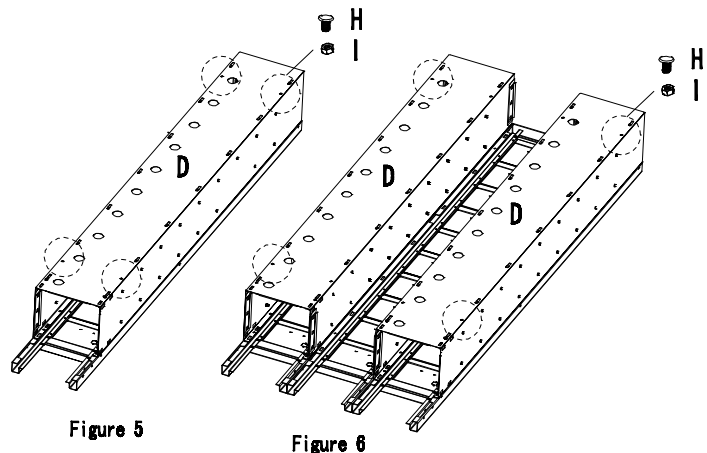


## Step 2 - Back Assembly

Assembly for the back panel (D) of the 1 Wide Cell Phone Locker (Figure 5): Place the tabs of the sides into the openings of the frame. In order to make sure that all the tabs are aligned and inserted correctly into the openings gently use a rubber mallet to tap the top of the side down until the tabs are fully seated. Locate the 4 round holes (two on the top and two on the bottom). Use screws (H) and nuts (I) to fasten the back panel.

Assembly for the back panel (D) of the 3 Wide Cell Phone Locker (Figure 6): Place the tabs of the sides into the openings of the frame. In order to make sure that all the tabs are aligned and inserted correctly into the openings gently use a rubber mallet to tap the top of the side down until the tabs are fully seated. Locate the 4 round holes (two on the top and two on the bottom). Use screws (H) and nuts (I) to fasten the back panel.

Note: Do not completely tighten the four middle screws.



# Operation Instruction & Parts Manual

Model#:10Y618,10Y619,10Y620,10Y621,10Y622,10Y623

## Step 3 - Leg Assembly

Assembly for the Legs (G) of both the the 1 Wide Cell Phone Locker (Figure 7) and 3 Wide Cell Phone Locker (Figure 8): Insert the tabs of the legs into the bottom rectangular openings located on the side and back of each of the units. Lightly tap the bottom of the legs upward with a rubber mallet until the tabs are fully seated into the rectangular openings. Once the tabs are fully seated into the slots use screws (H) and nuts (I) to fasten the legs.

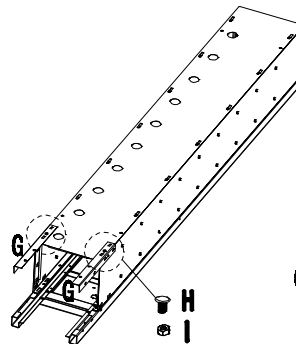


Figure 7

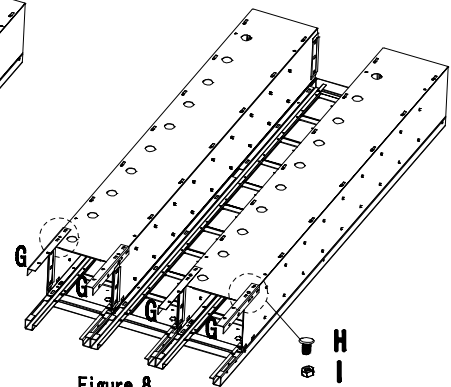


Figure 8

Note: Do not completely tighten the screws for 3 Wide Cell Phone Locker.

## Step 4 - Middle of the Back Panel Assembly (3 Wide Cell Phone Locker Only)

Assembly for the middle of the back panel (E) of the 3 Wide Cell Phone Locker (Figure 9): Ensure that tabs are aligned properly into the openings of the frame. Gently use a rubber mallet to lightly tap the tabs until they are fully seated. Locate the 6 round holes (two on the top and four on the bottom). Use screws (H) and nuts (I) to fasten the back panel.

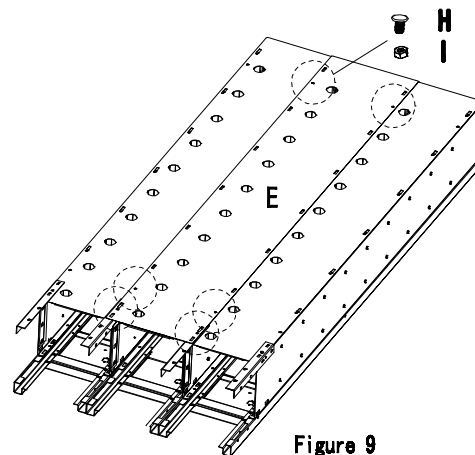


Figure 9

## Step 5 - Top and Bottom Assembly

Assembly for the top and bottom (F) of the 1 Wide Cell Phone Locker and 3 Wide Cell Phone Locker (Figure 10): Note that the top, bottom and shelves are all identical parts. Begin with 3 pieces to install the tops. Place the tops so that the flange is facing the frame end, which would be considered the front. Insert the tops at an angle so that the flange fits into the shell of the unit. Align all the flanges of the tops with the flanges of both the sides and backs. Using a rubber mallet lightly tap the top until it seats into the unit. Next stand the unit up on its top and insert the bottoms the same way as the tops (noted above). (Figure 11)

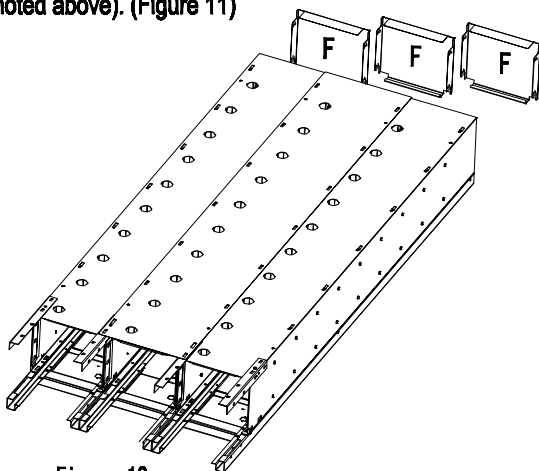


Figure 10

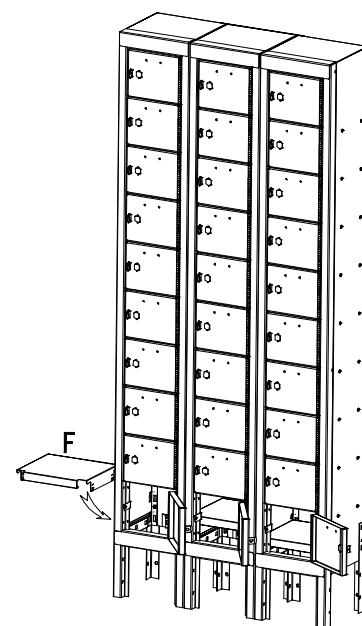


Figure 11

# Operation Instruction & Parts Manual

Model#:10Y618,10Y619,10Y620,10Y621,10Y622,10Y623

## Step 6 - Leg Leveler Assembly

Screw (H) the leg leveler (N) into the bottom of the assembled Door Frames (A) and legs (G). (Figure 12)

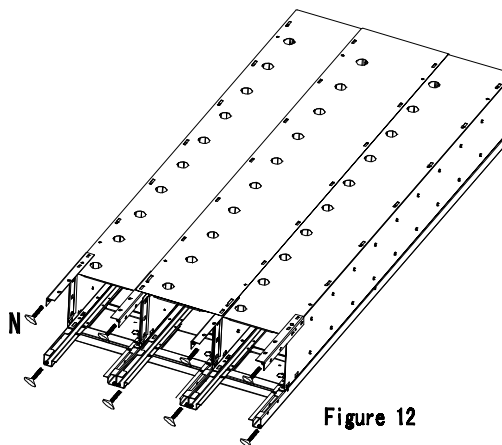


Figure 12

## Step 7- O Ring and Shelf Assembly

Assemble the O-ring into the round holes located on the back panel. Repeat the directions from Step 5 for the Shelf assembly using the screws (H) and nuts (I) to fasten. (Figure 13)

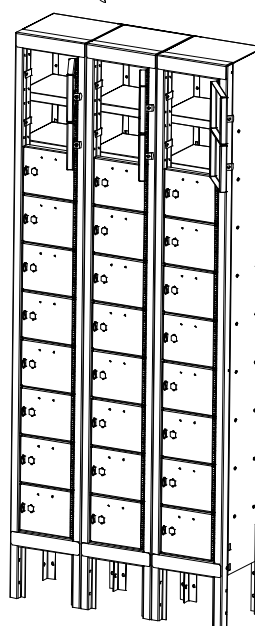


Figure 13

## Step 8- Final Assembly

Position the cell phone locker against the wall and adjust the leg levelers. Pre-drill holes in the wall and insert the plastic anchor (L) into the wall. Align the long screws (M) and tube (K) directly to the unit for placement onto the wall. (Figure 14)

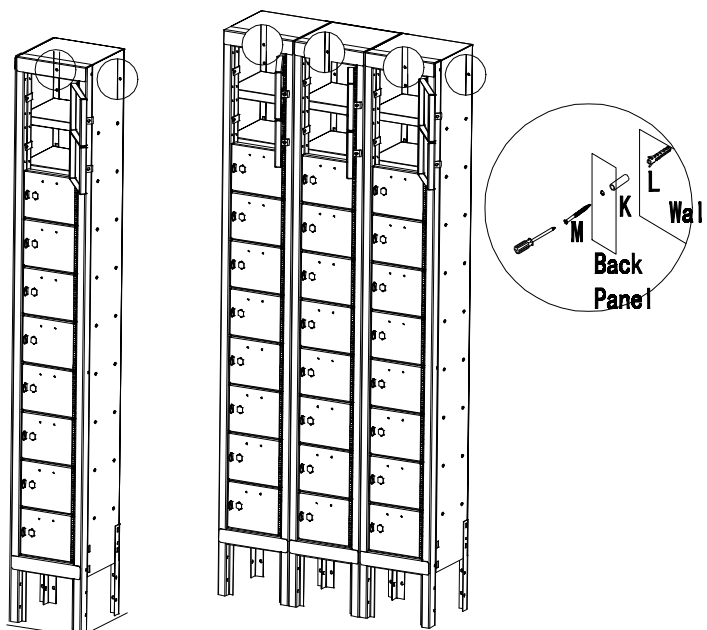


Figure 14