

INSTANT-FLOW® SR - STANDARD FLOW

INSTANT-FLOW® SR - STANDARD FLOW METRIC CHART

MODEL	AMPS/PHASE	1 Ø VOLTAGE	WATTS	ACTIVATION LPM	°C TEMPERATURE RISE @		
					4.00 LPM	5.00 LPM	6.00 LPM
SR-30/208	30	208	6240	2.5	22	18	15
SR-30/240	30	240	7200	2.5	26	21	17
SR-30/277	30	277	8310	2.5	30	24	20
SR-40/208	40	208	8320	2.5	30	24	20
SR-40/240	40	240	9600	2.5	34	28	23

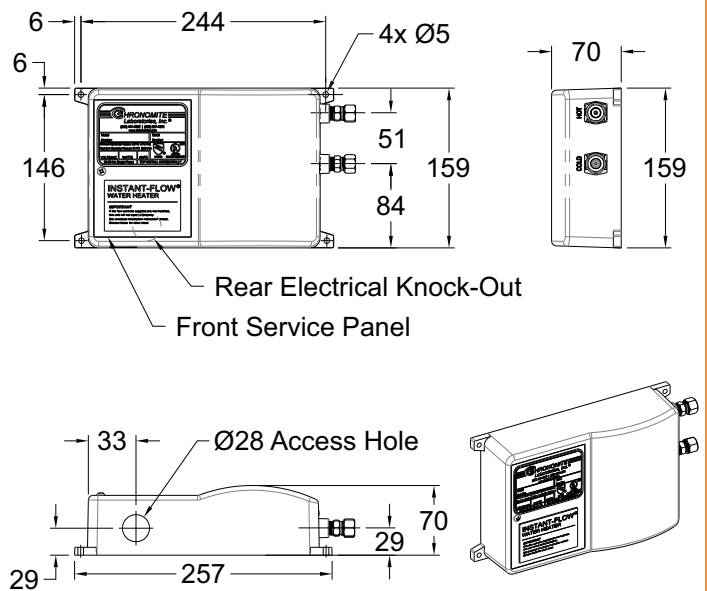
TECHNICAL DIMENSIONS

INSTANT-FLOW® SR - STANDARD FLOW

Dimensions:	159 (H) x 244 x 70mm
Weight:	2.27 Kg
Materials:	Rugged cast aluminum housing Celcon plastic element assembly with nichrome coils
Housing Color:	White
Minimum Operating Flow Rate:	2.5 LPM
Minimum Operating Pressure:	172 kPa
Maximum Operating Pressure:	552 kPa
Maximum Pressure:	1034 kPa
Maximum Water Temperature:	71°C
Maximum Ambient Operating Temperature:	60°C
Listing:	UL, IAPMO, UPC, ADA, ETL

GENERAL NOTES:

- 240V models when operated at 220V will have approximately a 15% temperature decrease.
- 120V models when operated 110V will have approximately a 15% temperature decrease.



Chronomite Laboratories assumes no responsibility for use of void or suspended data. © Copyright Chronomite Laboratories, Inc. Member of Morris Group International, City of Industry, CA Please visit www.chronomite.com for most current specifications.

SELECTION SUMMARY & APPROVAL FOR MANUFACTURING

Company _____

Model Number & Options _____ Quantity _____

Contact _____ Title _____

Signature (Approval for Manufacturing) _____ Date _____

CHRONOMITE
LABORATORIES, INC.

PH. 800-447-4962

626-937-4270

FAX 626-937-4279

www.chronomite.com

INSTANT-FLOW® SR - STANDARD FLOW

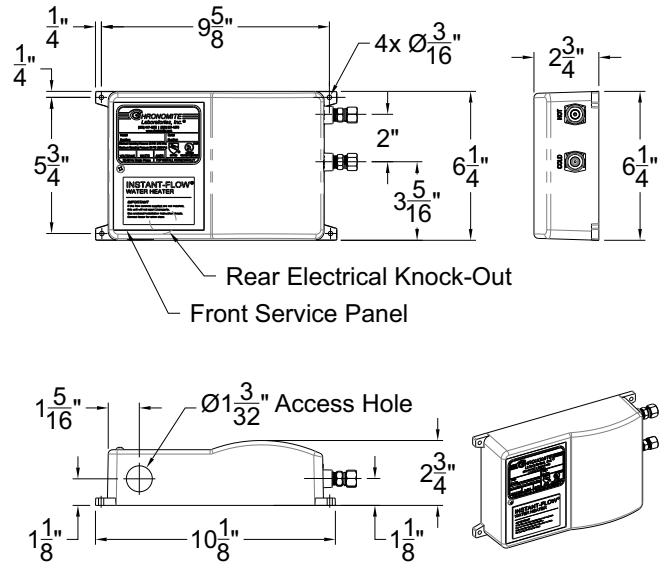
TECHNICAL DIMENSIONS

INSTANT-FLOW® SR - STANDARD FLOW

Dimensions:	6-1/4" (H) x 9-5/8" x 2-3/4"
Weight:	5 lbs.
Materials:	Rugged cast aluminum housing Celcon plastic element assembly with nichrome coils
Housing Color:	White
Minimum Operating Flow Rate:	0.65 GPM
Minimum Operating Pressure:	25 PSI
Maximum Operating Pressure:	80 PSI
Maximum Pressure	150 PSI
Maximum Water Temperature:	160°F
Maximum Ambient Operating Temperature:	140°F
Listing:	UL, IAPMO, UPC, ADA, ETL

GENERAL NOTES:

- 240V models when operated at 220V will have approximately a 15% temperature decrease.
- 120V models when operated 110V will have approximately a 15% temperature decrease.

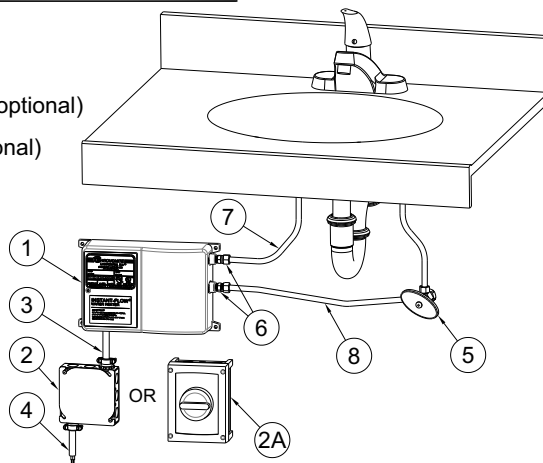


INSTALLATION DIAGRAM

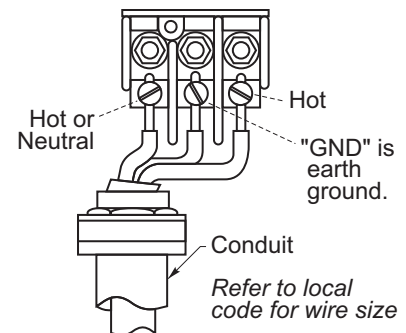
Notes:

1. Heater to be installed below the level of all hot water outlets serviced by the heater.
2. Diagram shown with standard 3/8" Compression Fitting. Optional 1/2" Male NPT water connections available.

- 1 Instant-Flow SR Heater
- 2 Electrical Junction Supply Box (optional)
- 2A 2095-1 Disconnect Switch (optional)
- 3 Electrical Supply Conduit
- 4 Electrical Supply Wire
- 5 Dual outlet Stop, 3/8" Comp. Outlet Connections
- 6 3/8" Comp. x 1/4" NPT Fittings (supplied)
- 7 3/8" Hot Water Outlet
- 8 3/8" Cold Water Inlet



WIRING CONNECTION



ATTENTION:

Unit must be hard wired.
NOTE: Heaters are single phase.
All tests are measured at the output of the heater.

Chronomite Laboratories assumes no responsibility for use of void or suspended data. © Copyright Chronomite Laboratories, Inc. Member of Morris Group International, City of Industry, CA Please visit www.chronomite.com for most current specifications.

SELECTION SUMMARY
& APPROVAL FOR
MANUFACTURING

Company _____

Model Number & Options _____ Quantity _____

Contact _____ Title _____

Signature (Approval for Manufacturing) _____ Date _____

CHRONOMITE
LABORATORIES, INC.

PH. 800-447-4962

626-937-4270

FAX 626-937-4279

www.chronomite.com