

MAXWELL

BATHWARE

Taymor

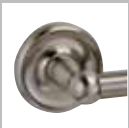


AVAILABLE FINISHES

OIL RUBBED BRONZE
US10B



SATIN NICKEL
US15



POLISHED CHROME
US26



FEATURES

- CONCEALED SURFACE MOUNT
- LIFETIME WARRANTY
- MOUNTING HARDWARE AND INSTALLATION INSTRUCTIONS INCLUDED



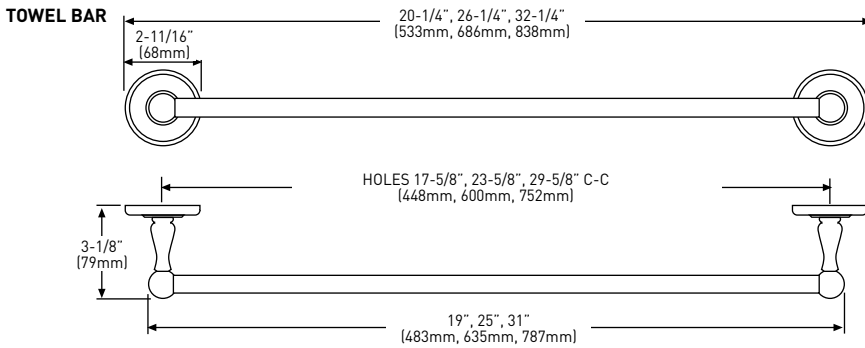
MAXWELL

BATHWARE

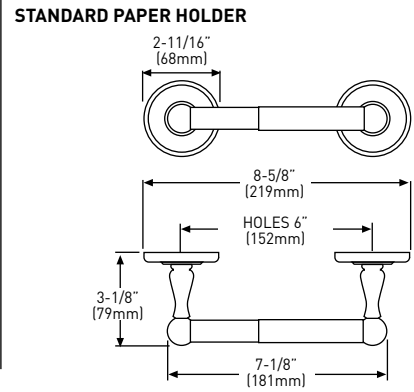
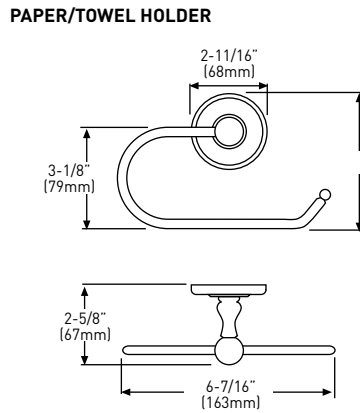
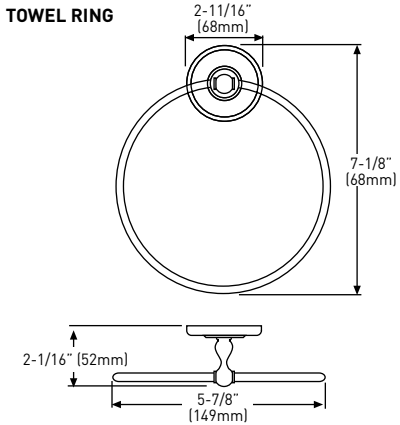
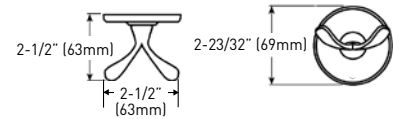
CONSTRUCTION: ZAMAC (DIECAST ZINC ALLOY)

INCLUDES MOUNTING PLATES — 2-5/32" (55mm) x 1" (25mm); NYLON ANCHORS AND STEEL PHILLIPS HEAD SCREWS — #8 x 1-1/4" (32mm)

		TOWEL BAR TUBE SIZE	TOWEL BAR TUBE MATERIAL	TOWEL RING TUBE MATERIAL	STANDARD PAPER HOLDER ROLLER MATERIAL	PAPER HOLDER/ TOWEL HOLDER MATERIAL
US10B	OIL RUBBED BRONZE	3/4" (19mm)	ALUMINUM	ALUMINUM	PLASTIC	STEEL
US15	SATIN NICKEL	3/4" (19mm)	ALUMINUM	ALUMINUM	PLASTIC	STEEL
US26	POLISHED CHROME	3/4" (19mm)	ALUMINUM	ALUMINUM	PLASTIC	STEEL



DOUBLE ROBE HOOK



MEASUREMENTS SUBJECT TO A 3% VARIANCE.

PHOTO	DESCRIPTION	OIL RUBBED BRONZE US10B	SATIN NICKEL US15	POLISHED CHROME US26	CASE PACK
	18" x 3/4" TOWEL BAR 24" x 3/4" TOWEL BAR 30" x 3/4" TOWEL BAR	04-BRN7918 04-BRN7924 04-BRN7930	04-SN7918 04-SN7924 04-SN7930	04-7918 04-7924 04-7930	10 10 10
	DOUBLE ROBE HOOK	04-BRN7902	04-SN7902	04-7902	10
	TOWEL RING	04-BRN7904	04-SN7904	04-7904	10
	PAPER/TOWEL HOLDER	04-BRN7948	04-SN7948	04-7948	10
	STANDARD PAPER HOLDER	04-BRN7908	04-SN7908	04-7908	10