

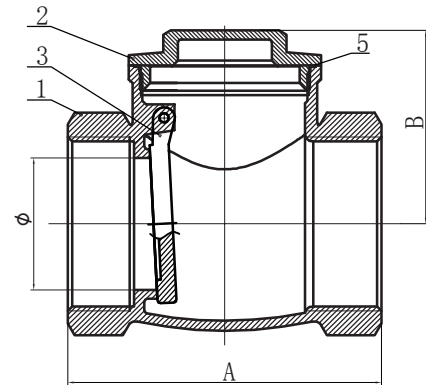
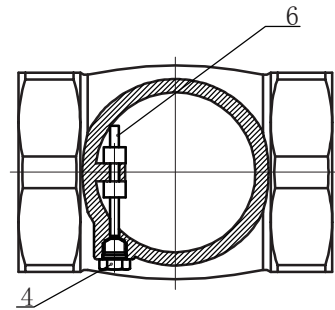
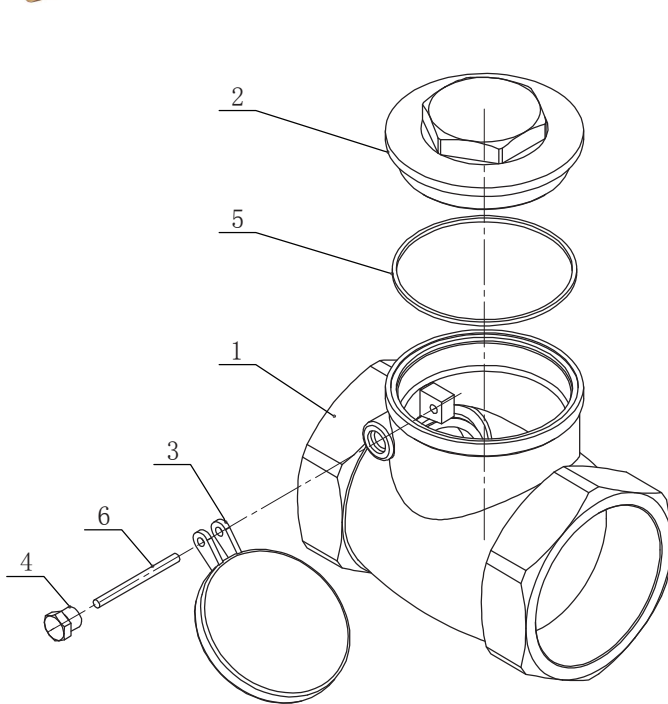
Brass

Swing Check Valve



Features

- Integral Seats with Brass Body and Disc
- Swing Check
- Threaded Ends
- Max. Pressure: 200 PSI WOG
- Max. Temp.: 180 °F



Material Specifications		
No.	Part	Material
1	Body	Brass
2	Cap	Brass
3	Disc	Brass
4	Bolt	Brass
5	Sealing Gasket	PTFE
6	Pin	Brass

Description	Dimensions are in inches					
	Part No.	Size	A	B	Ø	Weight (lbs)
Brass Swing Check Valve, FNPT	10F322	1/2	2.067	1.299	0.512	0.401
	10F323	3/4	2.382	1.417	0.709	0.546
	10F324	1	2.835	1.614	0.906	0.826
	10F325	1 1/4	3.228	1.969	1.181	1.359
	10F326	1 1/2	3.740	2.244	1.417	1.861
	10F327	2	4.213	2.638	1.772	2.754

Working Pressures		
Working Pressure Non-Shock (psi)	Test Pressure (psi)	
Cold Water, Oil, Gas	Shell (Air)	Seat (Air)
200 WOG	80	80