



► STS325R (\*\*) 7 534 ...

**FEIN Service**

**USA**

FEIN Power Tools Inc.  
1000 Omega Drive  
Suite 1180  
Pittsburgh, PA 15205  
Telephone: (412) 922-8886  
Toll Free: 1-800-441-9878  
[www.feinus.com](http://www.feinus.com)

**Canada**

FEIN Canadian Power Tool  
Company  
323 Traders Boulevard East  
Mississauga, Ontario L4Z 2E5  
Telephone.: (905) 8901390  
Toll Free: 1-800-265-2581

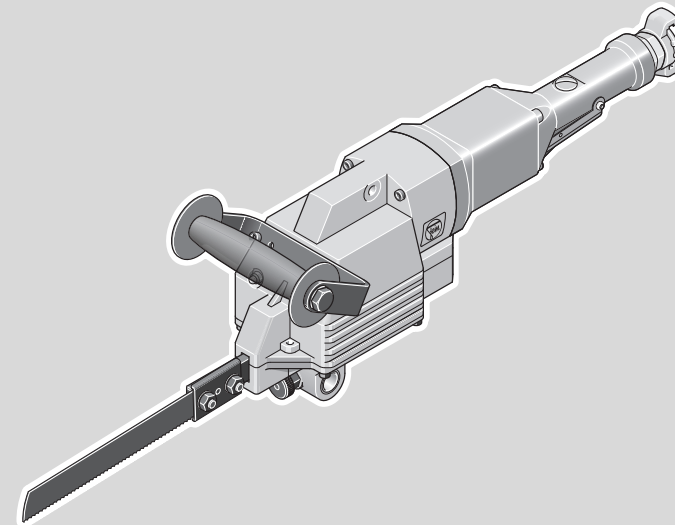
FEIN Canadian Power Tool  
Company  
2810 De Miniac  
St. Laurent, Quebec H4S 1K9  
Telephone: (514) 331-7390  
Toll Free: 1-800-789-8181  
[www.fein.com](http://www.fein.com)

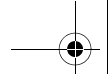
**Headquarter**

C. & E. Fein GmbH  
Hans-Fein-Straße 81  
D-73529 Schwäbisch Gmünd-Bargau

[www.fein.com](http://www.fein.com)

© C. & E. Fein GmbH. Printed in Germany. Abbildungen unverbindlich. Technische Änderungen vorbehalten. 3 41 01 062 21 0 BY 2016.12 DE





**en** Instruction Manual

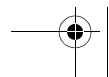
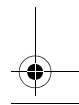
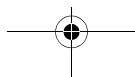
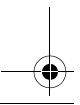
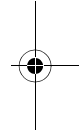
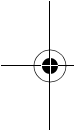
 3

**fr** Mode d'emploi

 17

**es** Instrucciones de uso

 32



## For your safety.

**WARNING** **Read all safety warnings and all instructions.** Failure to follow the warnings and instructions may result in electric shock, fire and/or serious injury. **Save all warnings and instructions for future reference.**

**Do not use this pneumatic tool before you have thoroughly read and completely understood this Instruction Manual, including the figures, specifications, safety regulations and the signs indicating DANGER, WARNING and CAUTION.**

Only carry out such operations with this pneumatic tool as intended for by FEIN. Only use application tools and accessories that have been released by FEIN.

Please also observe the relevant national industrial safety regulations.

Non-observance of the safety instructions in the said documentation can lead to an electric shock, burns and/or severe injuries.

This Instruction Manual should be kept for later use and enclosed with the power tool, should it be passed on or sold.

SAVE THESE INSTRUCTIONS.

## General safety rules.

### Workplace

**Keep work area clean and tidy.** Cluttered or dark work areas invite accidents.

**Do not operate the pneumatic tool in explosive atmospheres, such as in the presence of flammable liquids, gases or dusts.** Pneumatic tools create sparks which can ignite the dust or fumes.

**Keep children and bystanders away while operating the pneumatic tool.** Distractions can cause you to lose control over the pneumatic tool.

### Safety when handling compressed air

**Check the compressed-air supply regularly. Protect the hose from kinks, contraction, heat, and sharp edges. Firmly tighten the hose clamps. Have damaged hoses and couplings repaired immediately.** In case of malfunctions to the air supply, the compressed-air hose can be thrown about and lead to injury. Raised dust or chips may cause serious eye injury.

### Personal safety

**Stay alert, watch what you are doing, and use common sense when operating a pneumatic tool. Do not use the pneumatic tool while tired or under the influence of drugs, alcohol, or medication.** A moment of inattention while operating a pneumatic tool may result in personal injury.

**Use personal protective equipment. Always wear eye protection.** Protective equipment such as dust mask, non-skid safety shoes, hard hat, or hearing protection used for appropriate conditions will reduce personal injury.

**Prevent unintentional starting. Make sure that the switch is in the "OFF" position before connecting the pneumatic tool to the compressed-air supply.** When your finger is on the switch while carrying the pneumatic tool or when connecting the pneumatic tool to the compressed-air supply while it is switched on, accidents can occur.

**Remove any adjustment tools or wrenches before switching on the pneumatic tool.** An adjustment tool or wrench left attached to a rotating part of a pneumatic tool may result in personal injury.

**Do not overreach. Keep proper footing and balance at all times.** This enables better control of the pneumatic tool in unexpected situations.

**Wear suitable clothing. Do not wear loose clothing or jewelry. Keep your hair, clothing and gloves away from moving parts.** Loose clothes, jewelry or long hair can be caught in moving parts.

**If devices are provided for the connection of dust extraction and collection facilities, ensure these are connected and properly used.** Use of dust collection can reduce dust-related hazards.

### **Pneumatic tool use and care**

**Do not overload the pneumatic tool. Use the application tool intended for your work.** The correct pneumatic tool will do the job better and safer at the rate for which it is designed.

**Do not use a pneumatic tool that has a defective switch.** A pneumatic tool that cannot be controlled with the switch is dangerous and must be repaired.

**Disconnect the energy supply before making any pneumatic tool adjustments, changing accessories, or placing the pneumatic tool aside.** This precaution prevents accidental starting of the tool.

**Store idle pneumatic tools out of the reach of children. Do not allow persons unfamiliar with the pneumatic tool or these instructions to operate the pneumatic tool.** Pneumatic tools are dangerous in the hands of untrained users.

**Maintain the pneumatic tool with care. Check for misalignment or binding of moving pneumatic tool parts, breakage of parts and any other condition that may affect the pneumatic tool's operation. Have damaged parts repaired before using the pneumatic tool.**

Many accidents are caused by poorly maintained pneumatic tools.

**Keep cutting tools sharp and clean.** Properly maintained cutting tools with sharp cutting edges are less likely to bind and are easier to control.

**Use the pneumatic tool, accessories, application tools, etc. according to these instructions and as specified for this specific type of pneumatic tool. Take into consideration the working conditions and the activities to be carried out.** Use of pneumatic tools for operations different from those intended could result in hazardous situations.

**Use the auxiliary handle provided with the pneumatic tool.** Loss of control over the pneumatic tool can cause injuries.

**Hold the pneumatic tool firmly with both hands and keep proper footing and balance at all times.** The pneumatic tool is guided more secure with both hands.

**Do not work materials containing asbestos.** Asbestos is considered carcinogenic.

**Keep your hands away from the saw blade. Do not reach in front of or below the saw blade.** Contact with the saw blade can lead to injury. Saw blades can become very hot while working.

**Apply the pneumatic tool to the work piece only when switched on.** Danger of kickback or loss of control over the pneumatic tool.

**Do not rivet or screw any nameplates or signs onto the pneumatic tool.** Adhesive labels are recommended.

**Do not use accessories that have not been especially designed or released by the pneumatic tool manufacturer.** Safe operation is not ensured only because an accessory fits your pneumatic tool.

**Pay attention to hidden conductors/leads, gas and water pipes.** Before beginning to work, check the working area, e. g., with a metal detector.

### **Service**

**Have your pneumatic tool repaired only through a qualified repair person and only using original replacement parts.** This will ensure that the safety of the pneumatic tool is maintained.

## Special safety instructions.

**Hold the tool by the insulated gripping surfaces when performing operations where the application tool could contact hidden wires.**

Contact with a “live” wire will also make exposed metal parts of the tool “live” and shock the operator.

**Secure the work piece firmly.** A work piece that is gripped tightly in a clamping device or vice, is more secure than if held by hand.

**Disconnect the energy supply before making any pneumatic tool adjustments, changing accessories, or placing the pneumatic tool aside.** This precaution prevents accidental starting of the tool.

**Pay attention to hidden conductors/leads, gas and water pipes.** Before beginning to work, check the working area, e. g., with a metal detector.

**Wear personal protective equipment. Depending on application, use face shield, safety goggles or safety glasses. Where appropriate, wear dust mask, hearing protectors, gloves and workshop apron capable of stopping small abrasive or workpiece fragments.** The safety glasses must be capable of protecting against flying particles generated by the various operations. Prolonged exposure to high intensity noise may cause loss of hearing.

**Do not direct the application tool against yourself, other persons or animals.** Danger of injury from sharp or hot application tools.

Grasp the power tool in such a safe manner that your body never comes into contact with the application tool, especially while working with application tools such as saw blades or other blades pointed toward the grasping range. Touching sharp tips or cutting edges can lead to injuries.

## Handling hazardous dusts.

**⚠ WARNING** When working with power tools, such as when grinding, sanding, polishing, sawing or for other work procedures where material is removed, dusts develop that are both hazardous to one's health and can spontaneously combust or be explosive.

Contact with or inhaling some dust types can trigger allergic reactions to the operator or bystanders and/or lead to respiratory infections, cancer, birth defects or other reproductive harm.

Examples of such materials which contain chemicals that can produce hazardous dusts, are:

- Asbestos and materials containing asbestos;
- Lead-containing coatings, some wood types such as beech and oak;
- Minerals and metal;
- Silicate particles from bricks, concrete and other materials containing stone;
- Solvent from solvent-containing paint/varnish;

- Arsenic, chromium and other wood preservatives;
- Materials for pesticide treatment on boat and ship hulls;
- Stainless steel dust, metal dust and non-ferrous metal dust;

To minimize the unwanted intake of these materials:

- Use dust extraction matched appropriately for the developing dust.
- Use personal protective equipment, such as a P2 filter-class dust protection mask.
- Provide for good ventilation of the workplace.

The risk from inhaling dusts depends on how often these materials are worked. Materials containing asbestos may only be worked on by specialists.

**⚠ CAUTION** Wood and light-metal dust can cause spontaneous combustion or explosions.



Hot mixtures of sanding dust and paint/varnish remainders or other chemical materials in the filter bag or the vac filter can self-ignite under unfavorable conditions, such as sparking from sanding metal, continuous sunlight or high ambient temperatures. To prevent this:

- Avoid overheating the material being sanded and the power tool.
- Empty the dust container in time.
- Observe the material manufacturer's working instructions.
- Observe the relevant regulations in your country for the materials being worked on.

### Hand/arm vibrations.

**⚠ WARNING** Whilst working with this pneumatic tool, hand/arm vibrations occur. These can lead to health impairments.

**⚠ WARNING** The vibration emission value during actual use of the pneumatic tool can differ from the declared value depending on the ways in which the tool is used.

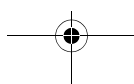
**⚠ WARNING** It is necessary to identify safety measures to protect the operator that are based on an estimation of exposure in the actual conditions of use.

The vibration emission level given in these instructions has been measured in accordance with a standardized test given in EN 792 and may be used to compare one pneumatic tool with another. It may be used for a preliminary assessment of the vibrational impact.

The declared vibration emission level represents the main applications of the pneumatic tool. However, if the pneumatic tool is used for other applications, with different accessories or poorly maintained, the vibration emission level may differ. This may significantly increase the vibrational impact over the total working period.

An estimation of the level of exposure to vibration should also take into account the times when the tool is switched off or when it is running but not actually doing the job. This may significantly reduce the exposure level over the total working period.


Identify additional safety measures to protect the operator from the effects of vibration such as: maintain the pneumatic tool and accessories, keep the hands warm, organization of work patterns.



**Emission values for sound and vibration** (Two-figure – specifications as per ISO 4871)

<b>Sound emission</b>	<b>STS325R (**)</b>
A-weighted emission pressure power level measured at the workplace $L_{pA}$ (re 20 $\mu$ Pa), in decibels	81
Measuring uncertainty $K_{pA}$ , in decibels	3
Measured A-weighted sound power level $L_{wA}$ (re 1 pW), in decibels	92
Measuring uncertainty $K_{wA}$ , in decibels	3
C-weighted peak sound pressure level measured at the workplace $L_{pCpeak}$ in decibels	102
Measuring uncertainty $K_{pCpeak}$ in decibels	3
<b>Vibrations</b>	
Mean vibrational value for sawing	
– $m/s^2$	7.1
– $ft/s^2$	23.2
Measuring uncertainty $K$ , in	
– $m/s^2$	1.5
– $ft/s^2$	4.9

REMARK: The sum of the measured emission value and respective measuring inaccuracy represents the upper limit of the values that can occur during measuring.

 Wear hearing protection!

Measured values determined in accordance with the corresponding product standard.

**Intended use of the pneumatic tool:**

Hand-guided compressed-air hacksaw for commercial use for cutting round and other shaped work pieces of metal, plastic and cement in weather-protected environments using the application tools and accessories recommended by FEIN.

**Connecting to the compressed-air supply.**

For trouble-free operation of the pneumatic tool, use a maintenance unit consisting of water separator, oil lubricator and compressed-air regulator. Please check whether the pressure in the compressed-air supply corresponds to the pressure indicated on the rating plate of the pneumatic tool.

– Blow out the hose before connecting.

The hose should have a minimum diameter of 13 mm. The opening of the valve and the coupling should have a diameter of at least 8 mm. Before beginning to work, check if the oiler installed in the handle is filled.

The correct setting of the oiler and a sufficient supply of oil is required for optimal function of the oiler.

External oilers are only effective to a hose length of 5 m (max.), as otherwise the oil remains in the hose and does not reach the machine.

If required, fill the oil reservoir with FEIN special motor oil 3 21 32 017 05 0 (high-grade hydraulic oil, quality: HLP/ISO-VG22). Do not use automotive engine oils, as these are not suitable for pneumatic tools.

**Symbols.**

Symbol, character	Explanation
	Make sure to read the enclosed documents such as the Instruction Manual and the General Safety Instructions.
	Observe the instructions in the text or graphic opposite!
	Do not touch the saw blade
	Disconnect the energy supply prior to this work step. Otherwise there may be danger of injury caused by unintentional starting of the pneumatic tool.
	Use eye protection during operation.
	Use ear protection during operation.
	Use protective gloves during operation.
	A surface that can be touched may be very hot and thus hazardous.
	This symbol confirms the certification of this product for the USA and Canada.
	This sign warns of a directly imminent, dangerous situation. A false reaction can cause a severe or fatal injury.
	This sign indicates a possible dangerous situation that could cause severe or fatal injury.
	This sign warns of a possible dangerous situation that could cause injury.
	Pneumatic tools and other electro-technical and electrical products taken out of service should be collected separately and sorted for environment-friendly recycling.
	Steel
<b>(**)</b>	may contain numbers and letters

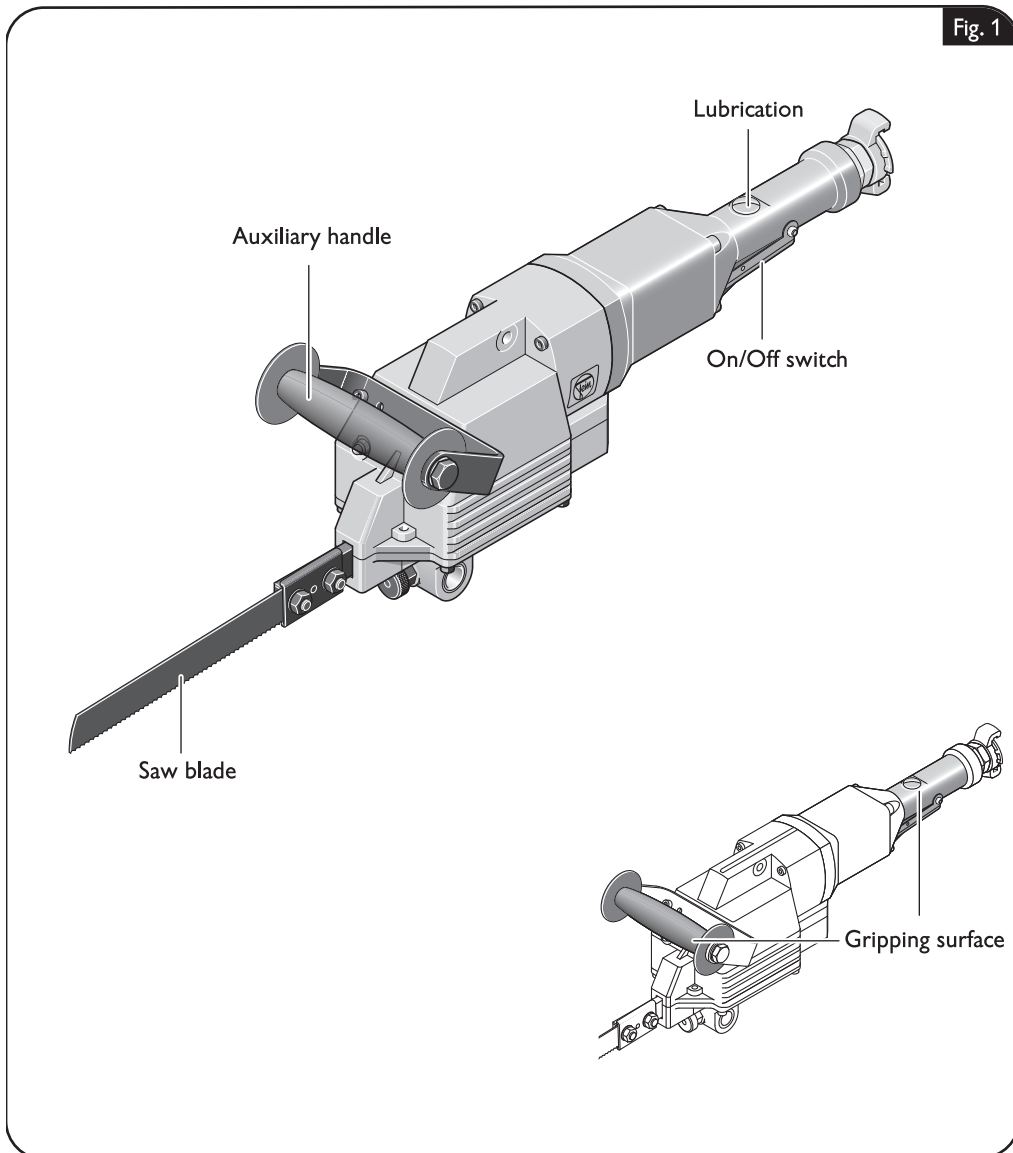
Character	Unit of measurement, national	Explanation
$n_0$	rpm; /min; $\text{min}^{-1}$ ; r/min	Stroke rate at no-load
$P$	W	Unit of measure for power
	°	Angle width
$U$	V	Unit of measure for voltage
$f$	Hz	Frequency
$I$	A	Unit of measure for current
$m$	kg, lbs	Mass
$l$	ft, in	Length, width, height, depth, diameter or thread
$\varnothing$	ft, in	Diameter of a round part
	m, s, kg, A, mm, V, W, Hz, N, °C, dB, min, $\text{m/s}^2$	Basic and derived units of measurement from the international system of units <b>SI</b> .



## Technical description and specifications.

**⚠ WARNING** Disconnect the energy supply before making any pneumatic tool adjustments, changing accessories, or placing the pneumatic tool aside. This precaution prevents accidental starting of the tool.

The delivery scope of your pneumatic tool may include only a part of the accessories described or shown in this Instruction Manual.



<b>Type</b>	<b>STS325R (**)</b>
Order number	7 534 ...
Output	1100 W
Stroke rate at no-load	330 /min
Pressure	6 bar
Flow rate	1250 l/min
Stroke length	60 mm
Hose diameter	13 mm
Max. outside diameter	
– for pipes	13 in 325 mm
– with clamping device and extension chain	17 1/4 in 440 mm
Max. work piece dimensions	
– Width	11 1/4 in 290 mm
– Height	22 in 550 mm
Weight according to EPTA-Procedure 01	14.1 lbs (6.4 kg)

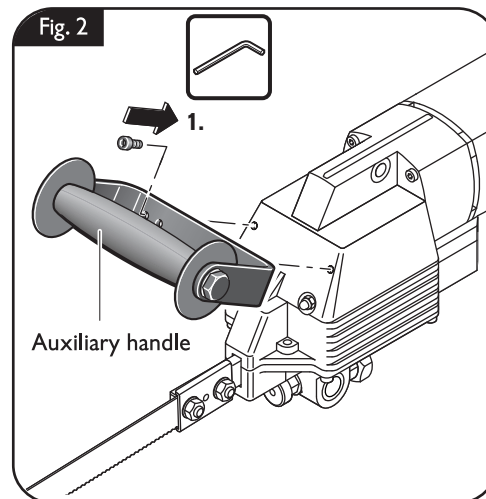
## Assembly instructions.

**⚠ WARNING** Disconnect the energy supply before making any pneumatic tool adjustments, changing accessories, or placing the pneumatic tool aside. This precaution prevents accidental starting of the tool.

### Mounting the auxiliary handle (figure 2).

Screw the auxiliary handle to the gear head with the pan head screws.

Tighten the pan head screws with the hex key.



## Changing the tool

**⚠ WARNING** Disconnect the energy supply before making any pneumatic tool adjustments, changing accessories, or placing the pneumatic tool aside. This precaution prevents accidental starting of the tool.

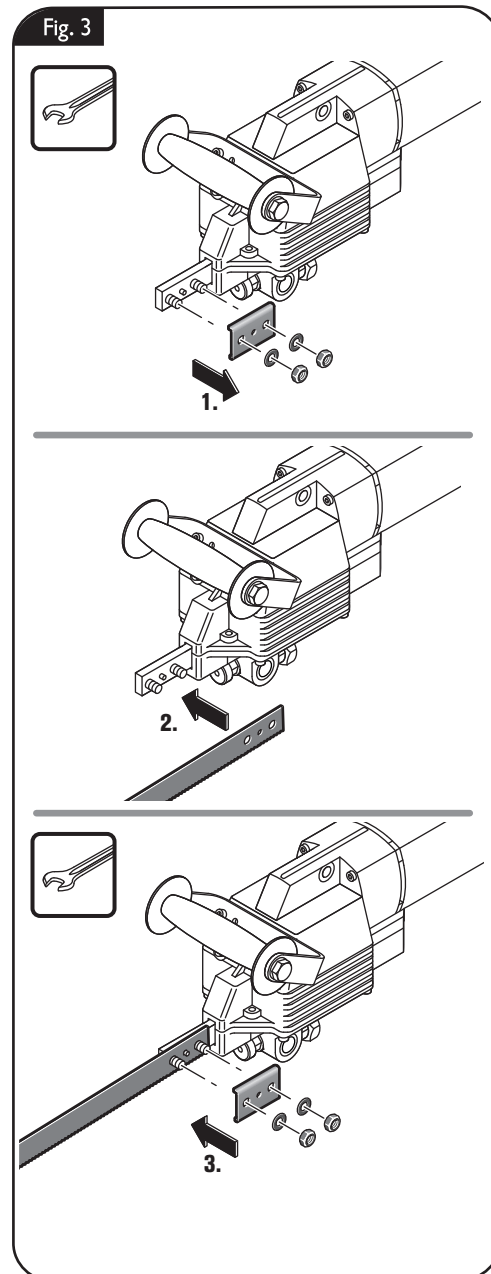
### Mounting the saw blade (figure 3).

Remove the two hexagon nuts on the stroke rod with the open-end wrench.

Remove the clamping plate.

Mount the saw blade and clamping plate onto the stroke rod.

Tighten the hexagon nuts again.



## Working instructions.

**⚠ WARNING** **Disconnect the energy supply before making any pneumatic tool adjustments, changing accessories, or placing the pneumatic tool aside.** This precaution prevents accidental starting of the tool.

**!** For each job, use only the FEIN application tool released and intended for the respective application.

### Switching on and off (figure 4).

**⚠ CAUTION** **Always hold the pneumatic tool firmly.** Otherwise, you can lose control over the pneumatic tool.

**!** Apply the pneumatic tool to the work piece only when switched on.

Guide the pneumatic tool uniformly and with light feed in the cutting direction. Excessive feed reduces the tool life of the application tools.

To increase the tool life of the saw blade when sawing metal, it is recommended to use a lubricating agent:

- For cuts in steel sheet: cutting oil
- For cuts in aluminum: petroleum.

As an alternative, cutting paste can also be applied to the cutting line.

When uncoupling hose couplings, first shut the ball valve, then actuate the pneumatic tool, and then uncouple. Do not uncouple the hose coupling until after the compressed air has been completely relieved.

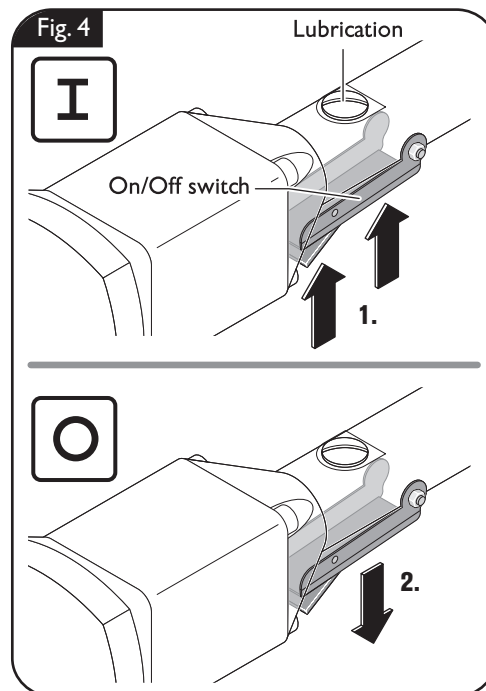
#### Switching on:

Press the On/Off switch. The stroke rate is raised with increasing pressure against the On/Off switch **(I)**.

- low stroke rate for working aluminum and plastics,
- high stroke rate for working steel.

#### Switching off:

Release the On/Off switch **(O)**.



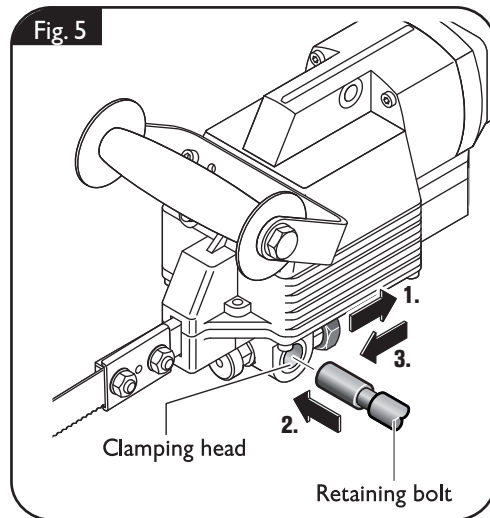
## Using the recommended clamping devices (figure 5).

### Pipe clamp 9 07 02 001 00 1

For pipes with diameters to 150 mm, use pipe clamp 9 07 02 001 00 1.

- Place the clamping chain around the work piece and insert the hooks of the grabber in the clamping chain.
- Tension the chain with the pipe-clamp handle.
- Mount the hacksaw to the retaining bolt.

The clamping head is readjustable for saw cuts and can be used for angle cuts.



### Pipe clamp 9 07 02 004 00 6

For large pipes with diameters from 100 mm to 325 mm, use the pipe clamp 9 07 02 004 00 6 as well as saw blades with lengths of 500 mm or 600 mm, and a thickness of 2 mm. With the extension chain 3 02 31 003 00 3 (bolts 3 02 16 130 00 4), pipes with diameters to 440 mm can also be cut.

### Saw blade guide 9 06 06 002 00 9

When cutting pipes with diameters to 325 mm with the 1.6 mm thick and 530 mm long saw blade, use the saw blade guide 9 06 06 002 00 9.

- When the auxiliary handle is removed, mount the saw blade guide to the mounting hole on the gear head of the pneumatic tool.

### Pipe clamp 9 07 02 003 00 8

To cut profiles (T- and I-beam stock) to a width of 310 mm and a height of 550 mm, use the pipe clamp 9 07 02 003 00 8. Its design corresponds to that of a parallel vice. The clamping jaws and the clamping head are adjustable.

### Pipe clamp 9 07 02 005 00 0

When cutting pipes and round stock with outside diameters from 80 to 400 mm, use the clamp and feed device 9 07 02 005 00 0 to guide the hacksaw. A safety clutch limits the duration that the saw blade is engaged and thus increases tool life. For proper handling, please refer to Instruction Manual 3 41 00 898 06 6.

### Free-hand support 3 27 14 062 02 3

To saw materials such as corrugated sheet, use the free-hand support 3 27 14 062 02 3.

Remove the auxiliary handle and mount the free-hand support to the hacksaw via the clamping head and the two gear head mounting holes for the auxiliary handle. The saw blade goes through the opening.

## Repair and customer service.

**⚠ WARNING** Disconnect the energy supply before making any pneumatic tool adjustments, changing accessories, or placing the pneumatic tool aside. This precaution prevents accidental starting of the tool.

### Exchangeable parts

If required, you can change the following parts yourself:

Application tools, auxiliary handle, hose

### Service.

**⚠ WARNING** Have maintenance carried out only through qualified personnel. Incorrectly mounted leads and components can cause serious injuries. Have the required service carried out only through a FEIN customer service agent.

The current spare parts list can be found on the Internet under [www.fein.com](http://www.fein.com).

### Cleaning.

**⚠ CAUTION** Do not attempt to clean clogged or dirty ventilation opening of the pneumatic tool with pointed metal objects; use non-metal tools or objects for this.

**⚠ CAUTION** Do not use cleaning agents and solvents that can cause damage to plastic parts. These include: Gasoline, carbon-tetrachloride, chloric solvents, ammonia and domestic cleaning agents that contain ammonia.

Carry out the following steps once per week:

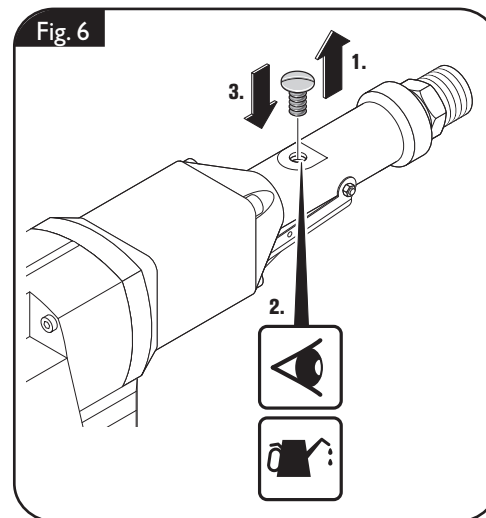
- Pour a small quantity of petroleum directly into the air intake of the pneumatic tool.
- Start the pneumatic tool for 10 to 15 seconds. In this period, the petroleum will seep out of the pneumatic tool along with the accumulated debris.

- Adding a small quantity of oil into the air intake after the cleaning will benefit the performance of the motor.

Further lubrication is covered by the oiler installed in the handle.

Maintain and clean the pneumatic tool every 300 work hours or every 6 months. When the pneumatic tool's hose is damaged, it must be replaced with a specially prepared hose, available from your FEIN customer service agent.

Maintain and clean the pneumatic tool every 300 work hours or every 6 months. When the pneumatic tool's hose is damaged, it must be replaced with a specially prepared hose, available from your FEIN customer service agent.



**Correct setting of the oiler: (figure 7).**

Under operating pressure (6 bar min.) and with the filler plug open, the oil must bubble. One oil filling is sufficient for approx. 8 operating hours.

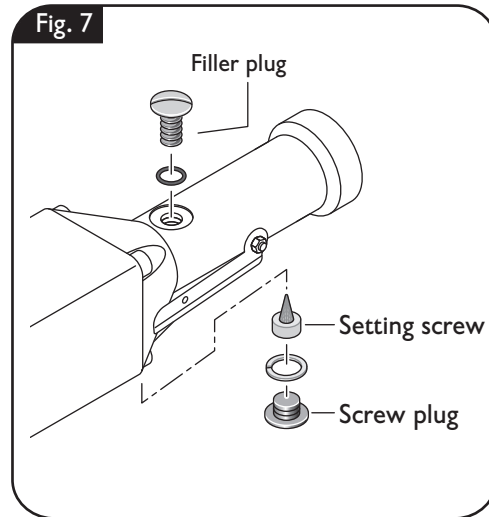
After removing the screw plug, the setting screw can be accessed.

Tightening (turning clockwise) the setting screw reduces the oil feed, releasing (turning counterclockwise) the setting screw increase the oil feed to the machine.

In most cases, tightening or releasing by  $\frac{1}{4}$  to  $\frac{1}{2}$  thread will be sufficient.

Allow a  $\varnothing$  2 mm clearance in the passage hole.

Check the correct oiler setting by applying a paper test: Hold a white sheet of paper in front of the air outlet of the machine; the oil film being expelled may not start to drip off.

**Warranty and liability.**

The warranty for the product is valid in accordance with the legal regulations in the country where it is marketed. In addition, FEIN also provides a guarantee in accordance with the FEIN manufacturer's warranty declaration.

The delivery scope of your pneumatic tool may include only a part of the accessories described or shown in this Instruction Manual.

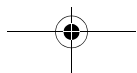
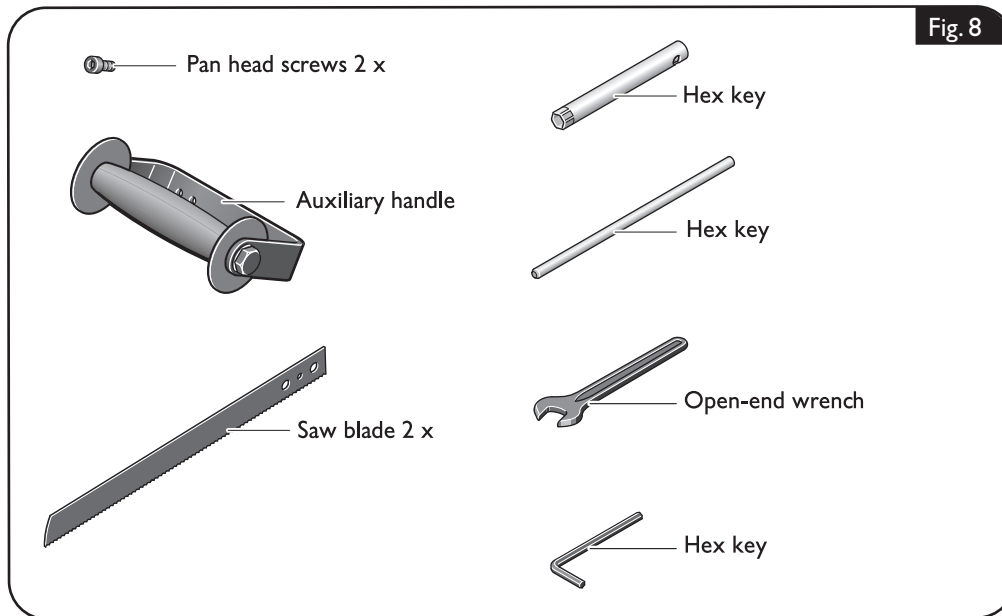
**Environmental protection, disposal.**

Packaging, worn out pneumatic tools and accessories should be sorted for environmental-friendly recycling.

For further information, please contact your specialist shop.



### Provided accessories (figure 8).






## Pour votre sécurité.

**⚠ AVERTISSEMENT Lire tous les avertissements de sécurité et toutes les instructions.** Ne pas suivre les avertissements et instructions peut donner lieu à une électrocution, un incendie et/ou une blessure sérieuse.

**Conservez tous les avertissements et toutes les instructions pour pouvoir vous y reporter ultérieurement.**

 Ne pas utiliser cet outil pneumatique avant d'avoir soigneusement lu et parfaitement compris cette notice d'utilisation y compris les figures, les spécifications, les consignes de sécurité ainsi que les indications marquées par DANGER, AVERTISSEMENT et ATTENTION.

N'effectuer avec cet outil pneumatique que des travaux pour lesquels il a été conçu par FEIN. N'utiliser que des outils de travail et accessoires autorisés par FEIN.

De même, respecter les dispositions concernant la prévention des accidents du travail en vigueur dans le pays en question.

Le non-respect des instructions de sécurité se trouvant dans la documentation mentionnée peut entraîner un choc électrique, un incendie et / ou de graves blessures.

Bien garder cette notice d'utilisation en vue d'une utilisation ultérieure ; elle doit être jointe à l'appareil en cas de transmission ou de vente à une tierce personne.

**GARDER SOIGNEUSEMENT CES INSTRUCTIONS DE SECURITE.**

## Instructions générales de sécurité.

### Portée

**Conserver la zone de travail propre et bien rangé.** Les zones en désordre ou sombres sont propices aux accidents.

**Ne pas faire fonctionner les outils pneumatiques en atmosphère explosive, par exemple en présence de liquides inflammables, de gaz ou de poussières.** Les outils pneumatiques produisent des étincelles qui peuvent enflammer les poussières ou les vapeurs.

**Maintenir les enfants et les personnes présentes à l'écart pendant l'utilisation de l'outil pneumatique.** Les distractions peuvent vous faire perdre le contrôle de l'outil pneumatique.

### Sécurité lors du travail avec l'air comprimé

**Contrôler à intervalles réguliers l'alimentation en air comprimé. Éviter que le flexible ne soit tordu, étranglé, le tenir à l'abri de la chaleur et éviter les bords tranchants. Serrer fermement les colliers. Faire immédiatement réparer les flexibles et raccords endommagés.** En cas d'une alimentation en air défectueuse le flexible à air comprimé pourrait battre de manière incontrôlée et provoquer ainsi des blessures. Les poussières ou copeaux soulevés peuvent blesser les yeux.

### Sécurité des personnes

**Rester vigilant, regarder ce que vous êtes en train de faire et faire preuve de bon sens dans votre utilisation de l'outil pneumatique. Ne pas utiliser un outil pneumatique lorsque vous êtes fatigué ou sous l'emprise de drogues, d'alcool ou de médicaments.** Un moment d'inattention pendant l'utilisation d'un outil pneumatique peut entraîner des blessures graves des personnes.

**Utiliser un équipement de sécurité. Toujours porter une protection pour les yeux.** Les équipements de sécurité tels que les masques contre les poussières, les chaussures de sécurité antidérapantes, les casques ou les protections acoustiques utilisés pour les conditions appropriées réduiront les blessures des personnes.

**Éviter tout démarrage intempestif. S'assurer que l'interrupteur est effectivement en position « ARRET » avant de raccorder l'outil pneumatique au réseau d'air comprimé.** Porter les outils pneumatiques en ayant le doigt sur l'interrupteur ou brancher des outils pneumatiques dont l'interrupteur est en position marche est source d'accidents.

**Retirer toute clé de réglage avant de mettre l'outil pneumatique en marche.** Une clé de réglage se trouvant dans une partie en rotation de l'outil pneumatique peut causer des blessures.

**Ne pas surestimer ses capacités. Garder une position et un équilibre adaptés à tout moment.** Cela permet un meilleur contrôle de l'outil pneumatique dans des situations inattendues.

**Porter des vêtements appropriés. Ne pas porter de vêtements amples ou de bijoux. Garder les cheveux, les vêtements et les gants à distance des parties en mouvement.** Des vêtements amples, des bijoux ou les cheveux longs peuvent être pris dans des parties en mouvement.

**Si des dispositifs sont fournis pour le raccordement d'équipements pour l'extraction et la récupération des poussières, s'assurer qu'ils sont connectés et correctement utilisés.** L'utilisation de tels dispositifs réduit les dangers dus aux poussières.

### **Précautions à prendre lors de l'utilisation d'outils pneumatiques**

**Ne pas surcharger l'outil pneumatique. Utiliser l'outil adapté à votre application.** L'outil adapté réalisera mieux le travail et de manière plus sûre au régime pour lequel il a été construit.

**Ne pas utiliser l'outil pneumatique si l'interrupteur ne permet pas de passer de l'état de marche à arrêt et vice versa.** Tout outil pneumatique qui ne peut pas être commandé par l'interrupteur est dangereux et il faut le réparer.

**Interrompre l'alimentation en courant avant d'effectuer des réglages sur l'outil pneumatique, de changer les accessoires ou de ranger l'outil pneumatique.** De telles mesures de sécurité préventives réduisent le risque de démarrage accidentel de l'outil.

**Conserver les outils pneumatiques à l'arrêt hors de la portée des enfants. Ne pas permettre à des personnes ne connaissant pas l'outil pneumatique ou les présentes instructions de le faire fonctionner.** Les outils pneumatiques sont dangereux entre les mains d'utilisateurs novices.

**Veiller à la maintenance de l'outil pneumatique. Vérifier qu'il n'y ait pas de mauvais alignement ou de blocage des parties mobiles, des pièces cassées ou toute autre condition pouvant affecter le fonctionnement de l'outil**

**pneumatique. En cas de dommages, faire réparer l'outil pneumatique avant de l'utiliser.** De nombreux accidents sont dus à des outils pneumatiques mal entretenus.

**Garder affûtés et propres les outils permettant de couper.** Des outils destinés à couper correctement entretenus avec des pièces coupantes tranchantes sont moins susceptibles de bloquer et sont plus faciles à contrôler.

**Utiliser l'outil pneumatique, les accessoires, les outils à monter etc. conformément à ces instructions et aux prescriptions en vigueur pour ce type d'outil pneumatique. Tenir compte des conditions de travail et de la tâche à réaliser.** L'utilisation des outils pneumatiques à d'autres fins que celles prévues initialement peut entraîner des situations dangereuses.

**Utiliser les poignées supplémentaires fournies avec l'outil pneumatique.** Le fait de perdre le contrôle de l'outil pneumatique peut entraîner des blessures.

**Maintenir l'outil pneumatique avec les deux mains et veiller à toujours garder une position de travail stable.** L'outil pneumatique est guidé de manière plus sûre si l'on le tient des deux mains.

**Ne pas travailler de matériaux contenant de l'amiante.** L'amiante est considérée comme étant cancérigène.

**Garder les mains à distance de la lame. Ne pas passer les mains sous la lame.** Le contact avec la lame peut entraîner des blessures. La lame de scie peut chauffer énormément durant le travail.

**Ne guider l'outil pneumatique contre la pièce à travailler que lorsque l'appareil est en marche.** Il y a danger de contrecoup ou de perte de contrôle de l'outil pneumatique.

**Il est interdit de visser ou de riveter des plaques ou des repères sur l'outil pneumatique.** Utiliser des autocollants.

**Ne pas utiliser des accessoires qui n'ont pas été spécialement conçus ou autorisés par le fabricant de l'outil pneumatique.** Le seul fait qu'un accessoire fonctionne avec votre outil pneumatique ne garantit pas une utilisation dépourvue de risque.

**Faire attention aux câbles électriques, conduites de gaz et d'eau éventuellement cachés.** Avant de commencer le travail, contrôler la zone de travail à l'aide d'un détecteur de métaux par exemple.

### Service

**Ne faites réparer votre outil pneumatique que par une personne qualifiée et seulement avec des pièces de rechange d'origine.** Ceci garantit le maintien de la sécurité de l'outil pneumatique.

## Instructions particulières de sécurité.

**Tenir l'outil par les surfaces de préhension isolantes, pendant les opérations au cours desquelles l'accessoire coupant peut être en contact avec des conducteurs cachés.** Le contact de l'accessoire coupant avec un fil « sous tension » peut également mettre « sous tension » les parties métalliques exposées de l'outil électrique et provoquer un choc électrique sur l'opérateur.

**Bloquez la pièce à travailler.** Une pièce à travailler serrée par un dispositif de serrage est fixée de manière plus sûre que si elle est seulement tenue de la main.

**Interrompre l'alimentation en courant avant d'effectuer des réglages sur l'outil pneumatique, de changer les accessoires ou de ranger l'outil pneumatique.** De telles mesures de sécurité préventives réduisent le risque de démarrage accidentel de l'outil.

**Faire attention aux câbles électriques, conduites de gaz et d'eau éventuellement cachés.** Avant de commencer le travail, contrôler la zone de travail à l'aide d'un détecteur de métaux par exemple.

**Porter un équipement de protection individuelle. En fonction de l'application, utiliser un écran facial, des lunettes de sécurité ou des verres de sécurité. Le cas échéant, utiliser un masque antipoussières, des protections auditives, des gants et un tablier capables de vous mettre à l'abri des petits fragments abrasifs ou des pièces à usiner.** La protection oculaire doit être capable de vous mettre à l'abri des débris volants produits par les diverses opérations. Le masque antipoussières ou le masque respiratoire doit être capable de filtrer les particules produites par vos travaux. L'exposition prolongée aux bruits de forte intensité peut provoquer une perte de l'audition.

**Ne pas diriger l'outil de travail vers soi-même ou vers d'autres personnes ou des animaux.** Il y a un danger de blessure causé par des outils de travail tranchants ou chauds.

Tenir l'outil électrique fermement en faisant attention à ce que votre corps ne puisse jamais entrer en contact avec l'outil de travail, particulièrement lors de la manipulation d'outils de travail tels que lames de scie orientés vers la zone de préhension. Le contact avec des bords ou lames tranchants peut entraîner des blessures.

### Maniement de poussières nocives.

**⚠ AVERTISSEMENT** Lors du travail avec des outils, par ex. lors du ponçage, polissage, sciage ou d'autres opérations enlevant du matériau, des poussières sont générées qui peuvent être nocives pour la santé, auto-inflammables ou explosives.

Toucher ou aspirer certaines poussières peut causer des réactions allergiques et/ou des maladies respiratoires, un cancer, des malformations à la naissance ou autres anomalies de reproduction auprès de l'utilisateur ou de personnes se trouvant à proximité.

Quelques exemples de tels matériaux et de produits chimiques qu'ils contiennent dont l'usinage génère des poussières nocives :

- l'amiante et les matériaux contenant de l'amiante ;
- peintures contenant du plomb, certains bois tels que le bois de chêne et de hêtre ;
- minéraux et métal ;
- les particules de silicate contenues dans les briques, le béton et autres matériaux contenant de la roche ;

- les solvants contenus dans les vernis et peintures ;
- l'arsenic, le chrome et d'autres lasures ;
- produits pour la lutte contre les vermines sur la coque de bateaux et de bâtiments ;
- poussières d'aciers fins, poussières de métaux et poussières de métaux non-ferreux.

Pour minimiser la résorption indésirable de ces matériaux :

- Utilisez une aspiration adaptée à la poussière générée.
- Utilisez des équipements personnels de protection tels que par exemple un masque anti-poussière de la classe filtre P2.
- Veillez à bien aérer la zone de travail.

Le risque causé par le fait d'aspirer des poussières dans les poumons dépend de la fréquence à laquelle ces matériaux sont travaillés. Les matériaux contenant de l'amiante ne doivent être travaillés que par des personnes qualifiées.

### Vibrations mains-bras.

**⚠ AVERTISSEMENT** Des vibrations mains-bras sont générées lors du travail avec cet outil pneumatique. Celles-ci peuvent entraîner des effets néfastes sur la santé.

**⚠ AVERTISSEMENT** L'émission de vibrations lors de l'utilisation de l'outil pneumatique peut varier de la valeur indiquée en fonction de l'utilisation.

**⚠ AVERTISSEMENT** Pour protéger l'opérateur, des mesures de sécurité doivent être déterminées sur la base de la sollicitation vibratoire estimée pendant l'utilisation effective.

L'amplitude d'oscillation indiquée dans ces instructions d'utilisation a été mesurée conformément à la norme EN 792 et peut être utilisée pour une comparaison d'outils pneumatiques. Elle est également appropriée pour une estimation préliminaire de la sollicitation vibratoire.

**⚠ ATTENTION** Les poussières de bois et les poussières de métaux légers peuvent causer une auto-inflammation ou une explosion.

Des mélanges chauds de poussières de ponçage contenant des résidus de vernis, de polyuréthane ou de produits chimiques dans le sac à poussières ou dans le filtre de l'aspirateur peuvent s'enflammer dans certaines conditions telles que projection d'étincelles lors du ponçage de métaux, rayonnement solaire direct permanent ou température ambiante élevée. Pour prévenir ces conditions :

- Évitez la surchauffe des matériaux travaillés et de l'outil pneumatique.
- Videz à temps le bac de récupération des poussières.
- Respectez les indications de travail du fabricant du matériau.
- Respectez les règlements spécifiques aux matériaux à traiter en vigueur dans votre pays.

L'amplitude d'oscillation représente les utilisations principales de l'outil pneumatique. Si l'outil pneumatique est cependant utilisé pour d'autres applications, avec d'autres outils de travail ou avec un entretien non approprié, l'amplitude d'oscillation peut être différente. Ceci peut augmenter considérablement la sollicitation vibratoire pendant toute la durée de travail.

Pour une estimation précise de la sollicitation vibratoire, il est recommandé de prendre aussi en considération les espaces de temps pendant lesquels l'appareil est éteint ou en fonctionnement, mais pas vraiment utilisé. Ceci peut réduire considérablement la charge vibratoire pendant toute la durée de travail. Déterminez des mesures de protection supplémentaires pour protéger l'utilisateur des effets de vibrations, telles que par exemple : Entretien de l'outil pneumatique et des outils de travail, maintenir les mains chaudes, organisation des opérations de travail.

**Valeurs d'émission pour niveau sonore et vibration** (Indication à deux chiffres conformément à la norme ISO 4871)

<b>Émission acoustique</b>	<b>STS325R (**)</b>
Mesure réelle (A) du niveau de pression acoustique sur le lieu de travail $L_{pA}$ (re 20 $\mu$ Pa), en décibel	81
Incertitude $K_{pA}$ , en décibel	3
Mesure réelle (A) du niveau d'intensité acoustique pondéré $L_{wA}$ (re 1 pW), en décibel	92
Incertitude $K_{wA}$ , en décibel	3
Mesure réelle (C) du niveau max. de pression acoustique sur le lieu de travail $L_{pCpeak}$ en décibel	102
Incertitude $K_{pCpeak}$ en décibel	3
<b>Vibration</b>	
valeur de vibration moyenne pour le sciage	
- $m/s^2$	7.1
- $ft/s^2$	23.2
Incertitude $K$ , en	
- $m/s^2$	1.5
- $ft/s^2$	4.9

REMARQUE : La somme de la valeur d'émission mesurée et de l'incertitude constitue la limite supérieure des valeurs qui peuvent apparaître pendant des mesurages.

 Porter une protection acoustique !

Valeurs de mesure mesurées conformément à la norme correspondante du produit.

## Conception de l'outil pneumatique :

scie alternative pneumatique guidée à la main, pour scier des pièces cylindriques et d'autres formes en métal, matières plastiques et ciment à l'abri des intempéries avec les outils de travail et les accessoires autorisés par FEIN.

### Branchement à l'alimentation en air comprimé.

Pour travailler sans gêne avec l'outil pneumatique, utiliser une unité d'entretien comprenant un séparateur d'eau, un vaporisateur à huile et un régulateur d'air comprimé. La pression d'air du réseau doit correspondre à celle indiquée sur la plaque signalétique de l'outil pneumatique.

– Avant le raccordement, souffler le flexible. Le flexible doit avoir un diamètre minimal de 13 mm. L'orifice du robinet et de l'accouplement doit être de 8 mm au minimum.

Avant de commencer les travaux, s'assurer que l'huileur économique se trouvant dans la poignée est rempli.

L'ajustement correct de l'huileur et une réserve d'huile suffisante sont indispensables pour un bon fonctionnement de l'huileur.

Les huileurs externes ne sont efficaces que jusqu'à une longueur de tuyau de 5 m env., autrement l'huile reste dans le tuyau et n'atteint pas la machine.

Remplir le réservoir d'huile, suivant le besoin, d'huile spéciale pour moteurs FEIN 3 21 32 017 05 0 (huile hydraulique haute qualité, type : HLP/ISO-VG22). Ne pas utiliser de l'huile pour moteurs de voitures, celles-ci ne sont pas appropriées pour les outils pneumatiques.

## Symboles.

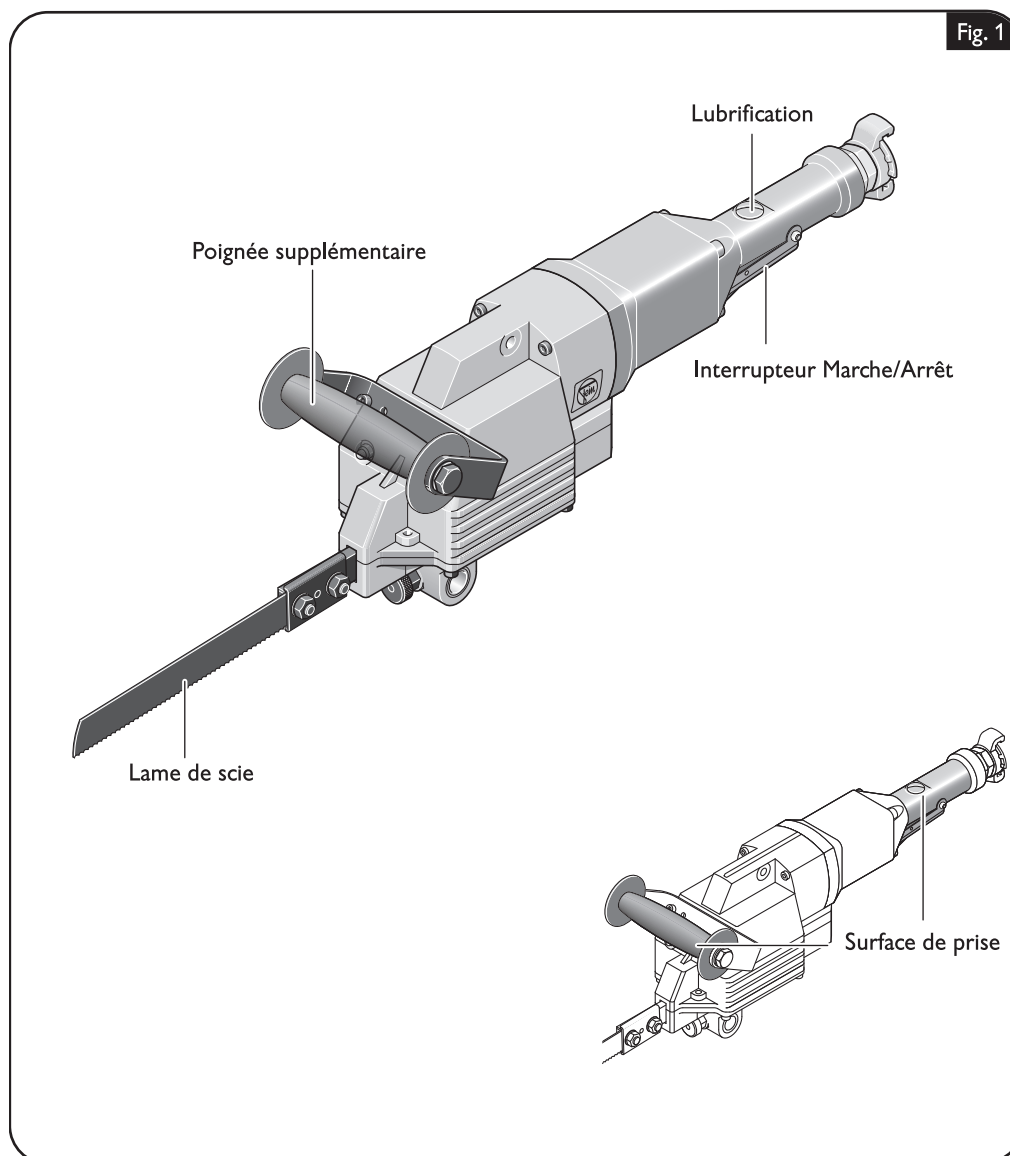
Symbole, signe	Explication
	Lire impérativement les documents ci-joints tels que la notice d'utilisation et les instructions générales de sécurité.
	Suivre les indications données dans le texte ou la représentation graphique ci-contre !
	Ne pas toucher la lame de scie.
	Avant d'effectuer ce travail, interrompre l'alimentation en énergie. Sinon, il y a des risques de blessures dus à un démarrage non intentionné de l'outil pneumatique.
	Lors des travaux, porter une protection oculaire.
	Lors des travaux, porter une protection acoustique.
	Lors des travaux, utiliser un protège-main.
	Une surface qui peut être touchée est très chaude et donc dangereuse.
	Ce symbole confirme la certification de ce produit aux Etats-Unis et au Canada.
	Cette indication met en garde contre une situation dangereuse imminente. Une mauvaise manipulation peut entraîner de graves blessures ou la mort.
	Cette indication indique une situation éventuellement dangereuse pouvant entraîner de graves blessures ou la mort.
	Cette indication met en garde contre une situation potentiellement dangereuse qui peut entraîner des blessures.
	Trier les outils pneumatiques ainsi que les autres produits électrotechniques et électriques et les rapporter à un centre de recyclage respectant les directives concernant la protection de l'environnement.
	Acier
	peut contenir des chiffres ou des lettres

Signe	Unité nationale	Explication
$n_0$	rpm ; /min ; $\text{min}^{-1}$ ; r/min	Nombre de courses à vide
$P$	W	Unité de mesure pour la puissance
	°	Unité de mesure pour la largeur d'angle
$U$	V	Unité de mesure pour la tension
$f$	Hz	Unité de mesure pour la fréquence
$I$	A	Unité de mesure pour l'intensité de courant
$m$	kg, lbs	Unité de mesure pour la masse
$l$	ft, in	Unité de mesure pour longueur, largeur, hauteur, profondeur, diamètre ou filetage
$\emptyset$	ft, in	Diamètre d'un élément
	m, s, kg, A, mm, V, W, Hz, N, °C, dB, min, $\text{m/s}^2$	Unités de base et unités dérivées du système international <b>SI</b> .

## Description technique et spécification.

**⚠ AVERTISSEMENT** Interrompre l'alimentation en courant avant d'effectuer des réglages sur l'outil pneumatique, de changer les accessoires ou de ranger l'outil pneumatique. De telles mesures de sécurité préventives réduisent le risque de démarrage accidentel de l'outil.

Il se peut que seule une partie des accessoires décrits dans cette notice d'utilisation soit fourni avec l'outil pneumatique.





<b>Type</b>	<b>STS325R (**)</b>
Référence	7 534 ...
Puissance utile	1 100 W
Nombre de courses à vide	330 tr/min
Pression	6 bar
Courant volumétrique	1250 l/min
Longueur de la course	60 mm
Diamètre du flexible	13 mm
Diamètre extérieur max.	
– de tuyaux	13 in 325 mm
– avec dispositif de serrage et rallonge de la chaîne	17 1/4 in 440 mm
Dimension max. de la pièce	
– Largeur	11 1/4 in 290 mm
– Hauteur	22 in 550 mm
Poids suivant EPTA-Procédure 01	14.1 lbs (6.4 kg)

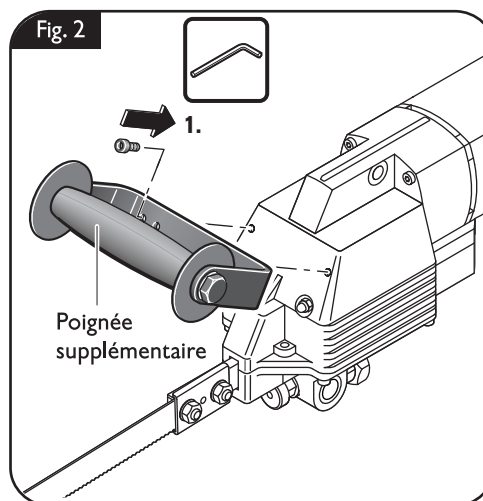
## Indications de montage.

**⚠ AVERTISSEMENT** Interrompre l'alimentation en courant avant d'effectuer des réglages sur l'outil pneumatique, de changer les accessoires ou de ranger l'outil pneumatique. De telles mesures de sécurité préventives réduisent le risque de démarrage accidentel de l'outil.

### Montage de la poignée supplémentaire (figure 2).

A l'aide des vis cylindriques, serrer la poignée supplémentaire sur la tête d'engrenage.

Serrer les vis cylindriques à l'aide de la clé mâle coudée pour vis à six pans creux.



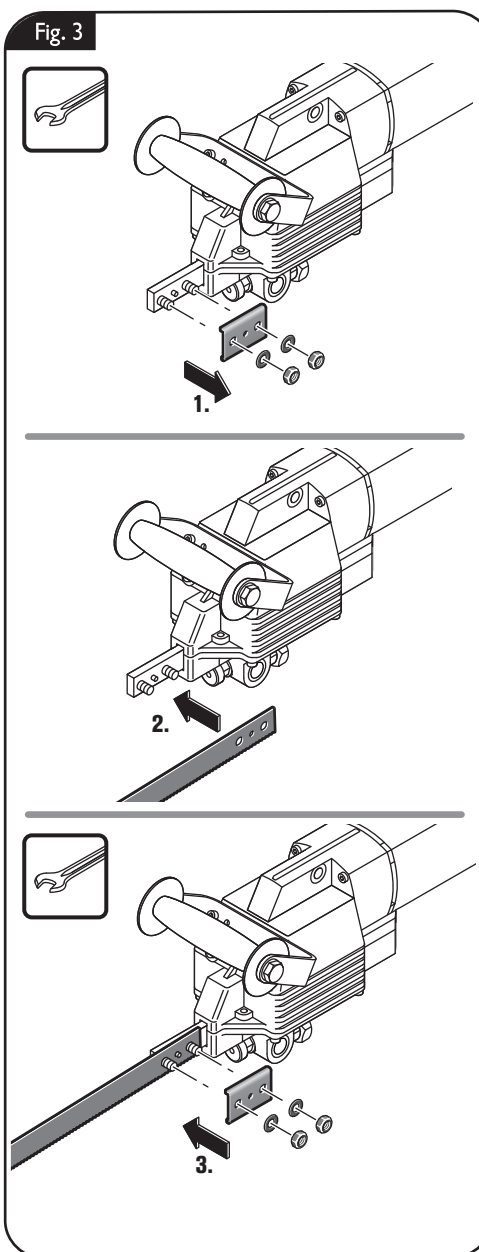
## Changement d'outil

**⚠ AVERTISSEMENT** Interrompre l'alimentation en courant avant d'effectuer des réglages sur l'outil pneumatique, de changer les accessoires ou de ranger l'outil pneumatique. De telles mesures de sécurité préventives réduisent le risque de démarrage accidentel de l'outil.

### Montage de la lame de scie (figure 3).

A l'aide de la clé à fourche, retirer les deux écrous six pans se trouvant sur le porte-lame.  
Retirer la plaque de compression.  
Monter la lame de scie et la plaque de compression sur le porte-lame.  
Resserrer les écrous à six pans.

Fig. 3



## Indications pour le travail.

**⚠ AVERTISSEMENT** Interrompre l'alimentation en courant avant d'effectuer des réglages sur l'outil pneumatique, de changer les accessoires ou de ranger l'outil pneumatique. De telles mesures de sécurité préventives réduisent le risque de démarrage accidentel de l'outil.

**!** N'utiliser que des outils de travail FEIN conçus et autorisés pour l'utilisation correspondante.

### Mise en fonctionnement/Arrêt (figure 4).

**⚠ ATTENTION** Toujours bien tenir l'outil pneumatique. Vous risquez sinon de perdre le contrôle de l'outil pneumatique.

**!** Ne guider l'outil pneumatique contre la pièce à travailler que quand il est en marche.

Guider l'outil pneumatique uniformément et en effectuant une avance modérée dans le sens de la coupe. Une avance trop forte réduit considérablement la durée de vie des accessoires.

#### Mise en fonctionnement :

Appuyer sur l'interrupteur Marche/Arrêt. Le nombre de courses augmente avec la pression exercée sur l'interrupteur Marche/Arrêt I.

- nombre de courses réduit pour travailler l'aluminium et les matières plastiques,
- nombre de courses élevé pour travailler l'acier.

#### Arrêt :

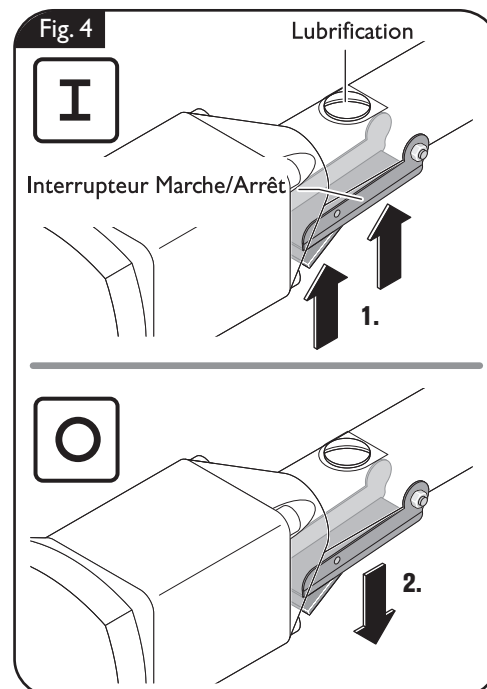
Relâchez l'interrupteur Marche/Arrêt (O).

Pour augmenter la durée de vie de la lame de scie lors du travail de métaux, il est recommandé d'utiliser un lubrifiant :

- pour les coupes dans la tôle d'acier : huile de coupe,
- pour les coupes dans l'aluminium : pétrole lampant.

En solution alternative, appliquez une pâte de coupe le long du tracé de coupe.

Lors de l'ouverture d'accouplements de tuyaux, d'abord remplacer le robinet et ensuite, mettre en marche l'outil pneumatique. Ne desserrer l'accouplement pour tuyaux qu'après que l'air comprimé soit entièrement sorti.



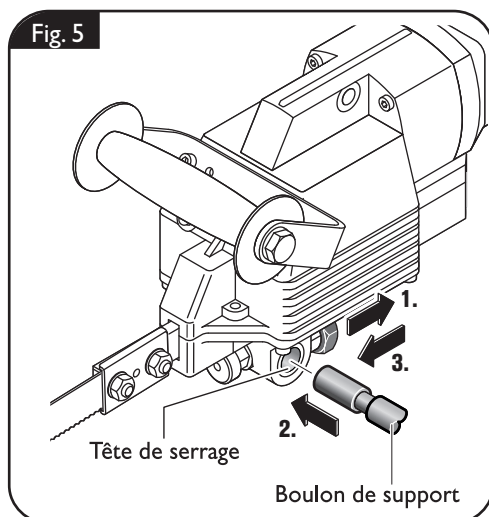
## Utiliser les dispositifs de serrage recommandés (figure 5).

### Dispositif de serrage 9 07 02 001 00 1

Pour les tuyaux d'un diamètre allant jusqu'à 150 mm, utiliser le dispositif de serrage 9 07 02 001 00 1.

- Mettez la chaîne de serrage autour de la pièce à travailler et accrochez les crochets de l'œillet dans la chaîne.
- Serrez la chaîne avec le guidon.
- Placez la scie sauteuse sur le boulon de support.

La tête de serrage est réglable et orientable pour les coupes.



### Dispositif de serrage 9 07 02 004 00 6

Pour les grands tuyaux d'un diamètre allant de 100 mm à 325 mm, utilisez le dispositif de serrage 9 07 02 004 00 6 ainsi que les lames de scie d'une longueur de 500 mm ou de 600 mm et d'une épaisseur de 2 mm. La rallonge de la chaîne 3 02 31 003 00 3 (boulon 3 02 16 130 00 4) permet de travailler des tuyaux d'un diamètre de 440 mm.

### Guidage de la lame de scie 9 06 06 002 00 9

Pour travailler des tuyaux d'un diamètre allant jusqu'à 325 mm avec la lame de scie d'une épaisseur de 1,6 mm et d'une longueur de 530 mm, utilisez le guidage de la lame 9 06 06 002 00 9.

- La poignée supplémentaire démontée, fixer le guidage de lame au forage dans la tête d'engrenage de l'outil pneumatique.

### Dispositif de serrage 9 07 02 003 00 8

Pour travailler de profilés d'une largeur de 310 mm et d'une hauteur de 550 mm, utilisez le dispositif de serrage 9 07 02 003 00 8. Cette construction correspond à un étau parallèle. Les mâchoires de serrage et la tête de serrage sont réglables.

### Dispositif de serrage 9 07 02 005 00 0

Pour le tronçonnage de tuyaux et de matériaux ronds d'un diamètre extérieur situé entre 80 et 400 mm, utilisez le dispositif de serrage et d'avance 9 07 02 005 00 0 comme guidage de la scie sauteuse. Un accouplement à glissement limite la durée de pression de la lame de scie et en augmente donc la durée d'utilisation. Le maniement est expliqué dans la notice d'utilisation 3 41 00 898 06 6.

### Appuie-main 3 27 14 062 02 3

Lors du sciage de matériaux tels que de la tôle ondulé, utilisez l'appuie-main 3 27 14 062 02 3.

Démontez la poignée supplémentaire et attachez l'appuie-main sur le porte-lame et dans l'alésage se trouvant sur la face supérieure de la tête d'engrenage.

## Travaux d'entretien et service après-vente.

**⚠ AVERTISSEMENT** Interrompre l'alimentation en courant avant d'effectuer des réglages sur l'outil pneumatique, de changer les accessoires ou de ranger l'outil pneumatique. De telles mesures de sécurité préventives réduisent le risque de démarrage accidentel de l'outil.

### Pièces remplaçables.

**Si nécessaire, vous pouvez vous-même remplacer les éléments suivants :**

Accessoires, poignée supplémentaire, flexible

### Service après-vente.

**⚠ AVERTISSEMENT** Ne faire effectuer les travaux d'entretien que par des personnes qualifiées. Les câbles et éléments mal montés peuvent présenter des risques graves. Ne faire effectuer le service d'entretien nécessaire que par une station de service après-vente FEIN.

Vous trouverez la liste actualisée des pièces de rechange sur le site Internet [www.fein.com](http://www.fein.com).

### Nettoyage.

**⚠ ATTENTION** Ne pas essayer de nettoyer les ouïes de ventilation à l'aide d'objets métalliques pointus ; utiliser des outils non-métalliques.

**⚠ ATTENTION** N'utilisez pas de détergents ou de solvants qui peuvent endommager les parties en matière plastique. Par exemple : l'essence, le tétrachlorure de carbone, solvants chlorés, l'ammoniaque et produits de nettoyage domestiques contenant de l'ammoniaque.

À effectuer une fois par semaine :

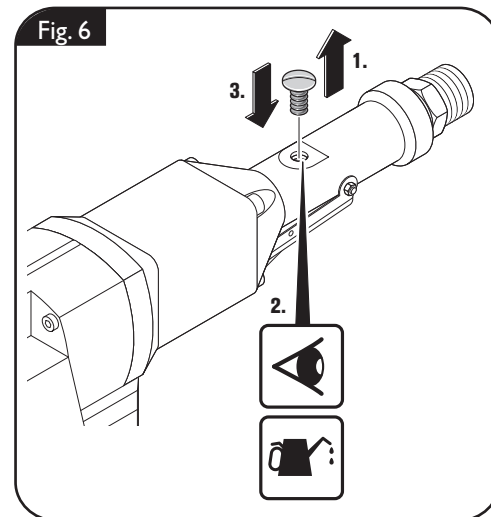
- Introduire un peu de pétrole directement dans l'orifice d'admission d'air de l'outil pneumatique.
- Démarrer l'outil pneumatique pendant 10 à 15 secondes. Pendant ce temps, le pétrole entraîne la crasse accumulé et est éliminé de l'outil pneumatique.

- Rajouter un peu d'huile dans l'orifice d'admission d'air après ce nettoyage, aide à maintenir la performance du moteur.

Le graissage ultérieur est effectué par l'huileur économique se trouvant dans la poignée.

Nettoyer l'outil pneumatique et effectuer les travaux d'entretien toutes les 300 heures de service ou tous les 6 mois. Si le flexible de l'outil pneumatique est endommagé, il doit être remplacé par un flexible spécialement préparé qui est disponible auprès du service après-vente de FEIN.

Nettoyer l'outil pneumatique et effectuer les travaux d'entretien toutes les 300 heures de service ou tous les 6 mois. Si le flexible de l'outil pneumatique est endommagé, il doit être remplacé par un flexible spécialement préparé qui est disponible auprès du service après-vente de FEIN.



**Ajustage d'huileur correct : (figure 7).**

Sous pression de service (6 bar min.), l'huile doit atteindre une température d'ébullition lorsque la vis de remplissage est ouverte.

Un remplissage suffit pour 8 heures de service env.

Une fois la vis de fermeture retirée, la vis d'ajustage est visible.

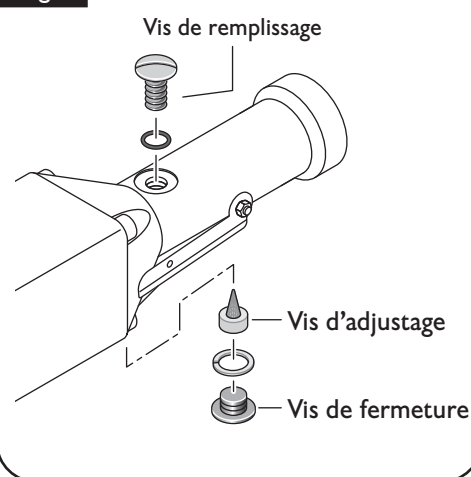
Serrer réduit la distribution de l'huile, desserrer augmente la quantité d'huile qui passe dans la machine.

Dans la plupart des cas il suffit de serrer ou de desserrer d'  $\frac{1}{4}$  à  $\frac{1}{2}$  de tour.

Maintenez le diamètre d'ouverture à  $\varnothing$  2 mm.

Vérifier l'ajustement correct de l'huileur avec un papier : maintenez un papier blanc devant la sortie d'air de la machine ; le film d'huile fin qui se dépose ne doit pas commencer à couler.

Fig. 7

**Garantie.**

La garantie du produit est valide conformément à la réglementation légale en vigueur dans le pays où le produit est mis sur le marché. Outre les obligations de garantie légale, les appareils FEIN sont garantis conformément à notre déclaration de garantie de fabricant.

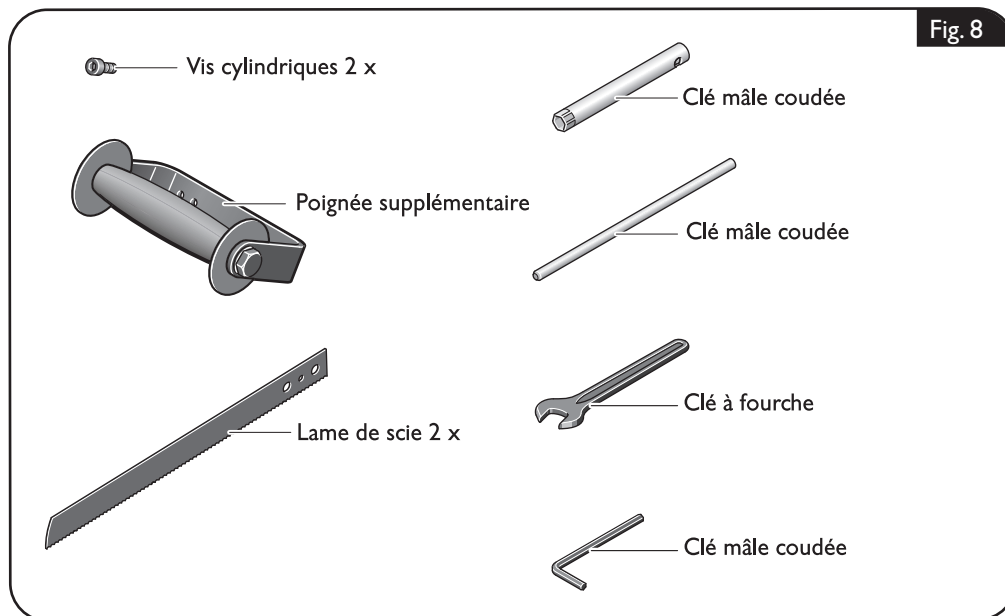
Il se peut que seule une partie des accessoires décrits ou représentés dans cette notice d'utilisation soit fourni avec l'outil pneumatique.

**Protection de l'environnement, recyclage.**

Rapporter les emballages, les outils pneumatiques hors d'usage et les accessoires à un centre de recyclage respectant les directives concernant la protection de l'environnement.

Pour plus de précisions, s'adresser à votre revendeur spécialisé.


## Accessoires fournis (figure 8).



## Para su seguridad.

**⚠ ADVERTENCIA** Lea íntegramente estas advertencias de peligro e instrucciones. En caso de no atenerse a las advertencias de seguridad siguientes, ello puede ocasionar una descarga eléctrica, un incendio y/o lesión grave.

**Guardar todas las advertencias de peligro e instrucciones para futuras consultas.**

 No utilice esta herramienta neumática sin haber leído detenidamente antes y haber entendido estas instrucciones de uso, inclusive las ilustraciones, especificaciones, reglas de seguridad, así como las indicaciones identificadas con PELIGRO, ADVERTENCIA y PRECAUCIÓN.

Únicamente realice con la herramienta neumática aquellos trabajos para los que ha sido prevista por FEIN. Solamente utilice útiles y accesorios homologados por FEIN.

Observe también las respectivas prescripciones contra accidentes de trabajo vigentes en su país.

En caso de no atenerse a las instrucciones de seguridad mencionadas en la documentación previamente citada, ello puede provocar una electrocución, incendio y/o lesión grave.

Guarde estas instrucciones de uso para posteriores consultas y entréguelas al usuario en caso de prestar o vender la máquina.

**GUARDAR ESTAS INSTRUCCIONES EN UN LUGAR SEGURO.**

## Instrucciones generales de seguridad.

### Puesto de trabajo

**Mantenga limpio y despejado el área de trabajo.** El desorden y una iluminación insuficiente del área de trabajo pueden provocar accidentes.

**No trabaje con la herramienta neumática en lugares con peligro de explosión, en los que se encuentren combustibles líquidos, gases o material en polvo.** Las herramientas neumáticas pueden producir chispas susceptibles de incendiar el material en polvo o los vapores.

**Mantenga alejados a los niños y otras personas al utilizar la herramienta neumática.** Una distracción puede hacerle perder el control sobre la herramienta neumática.

### Seguridad en el trabajo con aire comprimido

**Controle periódicamente la alimentación de aire comprimido. No doble ni estreche la manguera y protéjala del calor y de las esquinas cortantes. Apriete firmemente las abrazaderas. Haga reparar inmediatamente las mangueras y acoplamientos dañados.** Un sistema de conducción de aire deficiente puede hacer que la manguera de aire comprimido comience a dar latigazos y provoque daños. El polvo o virutas levantados por el aire pueden lesionar seriamente los ojos.

### Seguridad personal

**Esté atento a lo que hace y emplee la herramienta neumática con prudencia. No utilice la herramienta neumática si estuviese cansado, ni tampoco después de haber consumido drogas, alcohol o medicamentos.** Un momento de distracción durante el uso de la herramienta neumática puede acarrearle serios daños.

**Colóquese un equipo de protección personal y emplee siempre unos lentes de protección.** La utilización de un equipo de protección personal, como una mascarilla cubrepolvo, zapatos de seguridad antideslizantes, cubierta o protector acústico, dependiendo del tipo y utilización de la herramienta neumática, reducen el riesgo de accidente.

**Evite una puesta en marcha accidental. Asegúrese de que el switch se encuentre en la posición de "DESCONEXIÓN" antes de conectar la herramienta neumática a la toma de aire comprimido.** Si transporta la herramienta neumática sujetándola por el switch, o al conectar la herramienta neumática a la toma de aire comprimido estando el switch conectado, ello puede dar lugar a un accidente.

**Retire los útiles de ajuste o llaves fijas, antes de conectar la herramienta neumática.** Un útil de ajuste o llave colocada en una pieza móvil de la herramienta neumática puede accidentarle al poner ésta a funcionar.



**Sea precavido. Trabaje sobre una base firme y mantenga el equilibrio en todo momento.** Ello le permitirá controlar mejor la herramienta neumática al presentarse una situación inesperada.

**Lleve puesta ropa de trabajo adecuada. No utilice ropa holgada ni joyas. Mantenga su pelo, ropa y guantes alejados de las piezas móviles del aparato.** La ropa holgada, las joyas y el pelo largo pueden engancharse con las piezas en movimiento.

**Siempre que sea posible utilizar unos equipos de aspiración o captación de polvo, asegúrese que éstos estén montados y que sean utilizados correctamente.** El empleo de estos equipos reduce los riesgos derivados del polvo.

### **Trato y uso cuidadoso de las herramientas neumáticas**

**No sobrecargue la herramienta neumática. Emplee el útil adecuado al trabajo que quiera realizar.** Con el útil correcto trabajará mejor y más seguro dentro del margen de potencia indicado.

**No use herramientas neumáticas con un switch defectuoso.** Las herramientas neumáticas que no puedan conectarse o desconectarse son peligrosas y deben hacerse reparar.

**Corte la alimentación de la herramienta neumática antes de efectuar ajustes en ella, al cambiar de accesorio o cuando no vaya a utilizarla.** Este medida preventiva evita la conexión accidental del aparato.

**Guarde las herramientas neumáticas fuera del alcance de los niños. No permita que empleen la herramienta neumática aquellas personas que no estén familiarizadas con su uso o que no hayan leído estas instrucciones.** Las herramientas neumáticas pueden ser peligrosas si son empleadas por personas inexpertas.

**Cuide esmeradamente la herramienta neumática. Verifique que las piezas móviles de la herramienta funcionen correctamente, sin atascarse, e inspeccione si existen piezas rotas o dañadas que pudieran afectar al funcionamiento de la herramienta neumática. Haga reparar las piezas deterioradas antes de volver a poner en marcha la herramienta neumática.** Muchos de los accidentes obedecen a un mantenimiento deficiente de las herramientas neumáticas.

**Mantenga los útiles limpios y afilados.** Los útiles cuidadosos con esmero y bien afilados son menos propensos a atascarse y se dejan guiar mejor.

**Utilice las herramientas neumáticas, accesorios, útiles, etc. de acuerdo a estas instrucciones y en la manera específica que se indica para este tipo de herramienta neumática. Considere en ello las condiciones de trabajo y la tarea a realizar.** El uso de herramientas neumáticas para trabajos diferentes de aquellos para los que han sido concebidas puede resultar peligroso.

**Utilice la herramienta neumática con la agarradera adicional adjunta.** La pérdida del control sobre la herramienta neumática puede acarrear daños.

**Sujete firmemente con ambas manos la herramienta neumática y mantenga una posición estable.** La herramienta neumática es guiada de forma más segura con ambas manos.

**No trabaje materiales que contengan asbesto.** El asbesto es cancerígeno.

**Mantenga alejadas sus manos de la segueta. No coloque la mano frente la segueta ni debajo de la misma.** El contacto con la segueta puede accidentarle. La segueta puede ponerse muy caliente al serrar.

**Solamente aproxime la herramienta neumática conectada contra la pieza de trabajo.** En caso contrario existe el riesgo a perder el control sobre la herramienta neumática o que ésta salga despedida.

**No es está permitido atornillar o remachar rótulos ni señales sobre la herramienta neumática.** Utilice etiquetas adhesivas.

**No emplee accesorios diferentes de aquellos que el fabricante ha desarrollado u homologado especialmente para esta herramienta neumática.** El mero hecho de que sea acoplable un accesorio a su herramienta neumática no implica que su utilización resulte segura.

**Preste atención a los conductores eléctricos y a las tuberías de agua y gas ocultas.** Antes de comenzar a trabajar explore la zona de trabajo, p. ej., con un detector de metales.

## Servicio técnico

**Únicamente haga reparar su herramienta neumática con refacciones originales por un profesional cualificado.** De esta manera se garantiza la seguridad de la herramienta neumática.

## Instrucciones de seguridad especiales.

**Sujete el aparato por las zonas de agarre aisladas al realizar trabajos en los que el útil pueda tocar conductores eléctricos ocultos.** El contacto con conductores bajo tensión puede hacer que las partes metálicas del aparato le provoquen una descarga eléctrica.

**Asegure la pieza de trabajo.** Una pieza de trabajo queda sujeta de forma mucho más segura con un dispositivo de fijación que con la mano.

**Corte la alimentación de la herramienta neumática antes de efectuar ajustes en ella, al cambiar de accesorio o cuando no vaya a utilizarla.** Este medida preventiva evita la conexión accidental del aparato.

**Preste atención a los conductores eléctricos y a las tuberías de agua y gas ocultas.** Antes de comenzar a trabajar explore la zona de trabajo, p. ej., con un detector de metales.

**Utilice un equipo de protección personal. Dependiendo del trabajo a realizar use una careta, una protección para los ojos, o unas gafas de protección. Si procede, emplee una mascarilla antipolvo, protectores auditivos,**

**guantes de protección o un mandil especial adecuado para protegerle de los pequeños fragmentos que pudieran salir proyectados al desprenderse del útil o pieza.** Las gafas de protección deberán ser indicadas para protegerle de los fragmentos que pudieran salir despedidos al trabajar. La mascarilla antipolvo o respiratoria deberá ser apta para filtrar las partículas producidas al trabajar. La exposición prolongada al ruido puede provocar sordera.

**No dirija el útil contra Ud., contra otras personas, ni contra animales.** Podría accidentarse con los útiles afilados o muy calientes.

Sujete la herramienta eléctrica de forma segura, cuidando que su cuerpo jamás pueda tocar el útil, especialmente tratándose de útiles orientados hacia el área de agarre como, p. ej., seguetas. El contacto con piezas agudas o filos cortantes puede causar lesiones.

## Tratamiento de materiales en polvo peligrosos.

**⚠ ADVERTENCIA** Al trabajar con herramientas, p. ej., al lijar, pulir, serrar o realizar otros trabajos con arranque de material, los polvos que se producen pueden ser nocivos para la salud, autoinflamables o explosivos.

El contacto o inspiración de ciertos materiales en polvo puede provocar en el usuario, o en las personas circundantes, reacciones alérgicas y/o enfermedades respiratorias, cáncer, daños congénitos u otros trastornos reproductivos.

A continuación, indicamos algunos de estos materiales junto con los productos químicos que contienen, cuyo polvo producido al trabajar, puede ser nocivo para la salud:

- Amianto y materiales que contengan amianto;
- Pinturas que contengan plomo, ciertos tipos de madera como, p. ej., haya, encino y roble;
- Minerales y metales;
- Partículas de sílice de ladrillo, concreto y demás materiales que contengan mineral;
- Los solventes que contienen ciertas pinturas;

- Arsénico, cromo y otros conservadores de la madera;
- Materiales para combatir parásitos en cascos de botes o barcos;
- Polvos de acero inoxidable, de metales y de metales no férricos.

Para que la exposición a estos materiales sea mínima:

- Utilice un equipo de aspiración apropiado para el polvo producido.
- Use equipos de protección personal como, por ejemplo, una mascarilla guardapolvo con un filtro de la clase P2.
- Observe que esté bien ventilado el puesto de trabajo.

El riesgo derivado de la inspiración de polvo depende de la frecuencia con la que se procesen estos materiales. Los materiales que contengan amianto solamente deberán ser procesados por especialistas.

### Vibraciones en la mano/brazo.

**⚠ ADVERTENCIA** Al trabajar con esta herramienta neumática se transmiten vibraciones a la mano-brazo. Ello puede repercutir negativamente sobre su salud.

**⚠ ADVERTENCIA** El valor de las vibraciones transmitidas por la herramienta neumática al usuario durante el trabajo depende del tipo de aplicación y puede ser diferente del valor indicado.

**⚠ ADVERTENCIA** Con el fin de proteger al usuario, es necesario fijar medidas de seguridad en base a una estimación de la exposición resultante bajo las condiciones de uso actuales.

El nivel de vibraciones indicado en estas instrucciones ha sido determinado según el procedimiento de medición fijado en la norma EN 792 y puede servir como base de comparación con otras herramientas neumáticas. También es adecuado para estimar provisionalmente la exposición a las vibraciones.

### **⚠ ATENCIÓN** El polvo de madera y el de aleaciones ligeras puede autoinflamarse o provocar una explosión.

La mezcla caliente de material en polvo con restos de pintura, poliuretano u otras sustancias químicas, puede llegar a autoinflamarse en el saco filtrante o en el filtro del aspirador al presentarse una situación adversa como, p. ej., el salto de chispas al amolar metales, la exposición prolongada a sol intenso, o unas temperaturas ambiente elevadas. Como medida preventiva:

- No sobrecaliente la pieza de trabajo ni la herramienta neumática.
- Vacíe con suficiente antelación el depósito de polvo.
- Respete las instrucciones de trabajo del fabricante del material.
- Observe las prescripciones vigentes en su país sobre los materiales a tratar.

El nivel de vibraciones indicado ha sido determinado para las aplicaciones principales de la herramienta neumática. Por ello, el nivel de vibraciones puede ser diferente si la herramienta neumática se utiliza en otras aplicaciones, con útiles diferentes, o si el mantenimiento de la misma fuese deficiente. Ello puede suponer un aumento drástico de la exposición a las vibraciones durante el tiempo total de trabajo.

Para determinar con exactitud el grado de exposición a las vibraciones, es necesario considerar también aquellos tiempos en los que el aparato esté desconectado, o bien, esté en funcionamiento, pero sin ser utilizado realmente. Ello puede suponer una disminución drástica de la exposición a las vibraciones durante el tiempo total de trabajo.

Fije unas medidas de seguridad adicionales para proteger al usuario de los efectos por vibraciones, como por ejemplo: Dar buen mantenimiento a la herramienta neumática y a los útiles, conservar calientes las manos, organizar las secuencias de trabajo.


**Emisión de ruidos y vibraciones** (indicación de dos cifras según ISO 4871)**Emisión de ruido****STS325R (\*\*)**

Nivel de de presión sonora $L_{pA}$ (re 20 $\mu$ Pa), medido con filtro A en el puesto de trabajo, en decibelios	81
Inseguridad $K_{pA}$ , en decibelios	3
Nivel de potencia acústica $L_{WA}$ (re 1 pW), medido con filtro A, en decibelios	92
Inseguridad $K_{WA}$ , en decibelios	3
Valor pico del nivel de presión sonora $L_{pCpeak}$ medido con filtro C en el puesto de trabajo, en decibelios	102
Inseguridad $K_{pCpeak}$ en decibelios	3

**Vibración**

Promedio de vibraciones al serrar	
- $m/s^2$	7.1
- $ft/s^2$	23.2
Inseguridad $K_v$ , en	
- $m/s^2$	1.5
- $ft/s^2$	4.9

OBSERVACIÓN: la suma de los valores emitidos medidos, considerando la inseguridad respectiva, representa el límite superior que puede alcanzarse en las mediciones.

 ¡Utilizar unos protectores acústicos!

Valores de medición determinados según normativa del producto pertinente.

**Utilización reglamentaria de la herramienta neumática:**

Sierra de corte neumática portátil para el uso en lugares cubiertos con útiles y accesorios homologados por FEIN, para serrar piezas de metal, plástico y cemento de sección redonda o con otra forma.

**Conexión a la alimentación de aire comprimido.**

Para un trabajo sin perturbaciones con la herramienta neumática emplee una unidad de tratamiento compuesta por una decantador, aceitador por niebla y regulador del aire comprimido. Asegurarse de que la presión en la red de aire comprimido coincida con la presión indicada en la placa de características de la herramienta neumática.

- Antes de conectar la manguera soplar aire por su interior.

La manguera deberá tener un diámetro interior mínimo de 13 mm. El diámetro interior de la llave de paso y del acoplamiento deberá ser como mínimo de 8 mm.















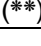
Antes de comenzar a trabajar, cheque que esté lleno el aceitador especial montado en la agarradera.

Para que el aceitador funcione perfectamente es necesario que esté correctamente ajustado y que tenga suficiente aceite.

Los aceitadores externos solo son efectivos con mangueras de una longitud máx. de 5 m, ya que sino el aceite se queda en la manguera y no pasa a la máquina.

Si fuese preciso, rellene el depósito de aceite con aceite especial de motores FEIN 3 21 32 017 05 0 (aceite hidráulico de alta calidad: HLP/ISO-VG22). No utilice aceites para motores de carros, ya que no son adecuados para herramientas neumáticas.

## Simbología.

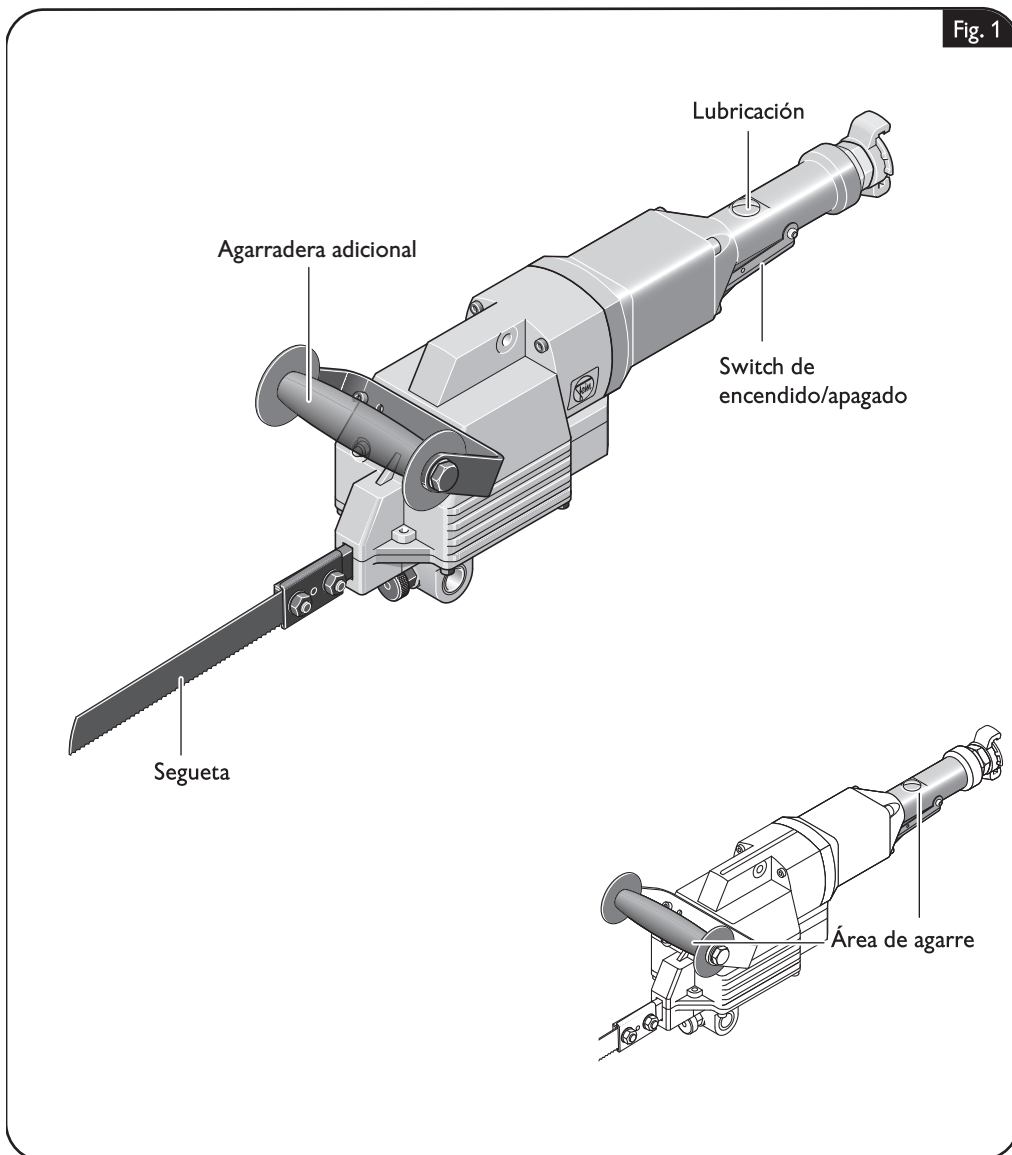
Símbolo	Definición
	Es imprescindible leer los documentos que se adjuntan, como las instrucciones de servicio y las instrucciones generales de seguridad.
	¡Seguir las instrucciones indicadas al margen!
	No tocar la següeta.
	Antes de realizar este paso de trabajo cortar el abastecimiento de energía. En caso contrario, podría accidentarse al ponerse la herramienta neumática en marcha fortuitamente.
	Al trabajar protegerse los ojos.
	Al trabajar utilizar un protector acústico.
	Al trabajar utilizar una protección para las manos.
	Existe el riesgo de quemarse con una superficie muy caliente.
	Este símbolo confirma que este producto ha sido certificado en USA y Canadá.
	<b>PELIGRO</b> Este símbolo advierte sobre una situación peligrosa inminente. Un comportamiento incorrecto puede dar lugar a una lesión grave o incluso mortal.
	<b>ADVERTENCIA</b> Este símbolo advierte sobre una situación peligrosa que puede comportar lesiones graves o mortales.
	<b>ATENCIÓN</b> Este símbolo advierte sobre una situación peligrosa en la que pudiera lesionarse.
	Acumular por separado las herramientas neumáticas y demás productos electrotécnicos y eléctricos inservibles para someterlos a un reciclaje ecológico.
	Acero
	Puede contener cifras o letras

<b>Símbolo</b>	<b>Unidad nacional</b>	<b>Definición</b>
$n_0$	rpm; /min; $\text{min}^{-1}$ ; r/min	Nº de carreras en vacío
$P$	W	Unidad de medida de la potencia
	°	Unidad de medida del ángulo
$U$	V	Unidad de medida de la tensión
$f$	Hz	Unidad de medida de la frecuencia
$I$	A	Unidad de medida de la intensidad
$m$	kg, lbs	Unidad de medida de la masa
$l$	ft, in	Unidad de medida para la longitud, ancho, altura, profundidad, diámetro o roscas
$\emptyset$	ft, in	Diámetro de una pieza redonda
	m, s, kg, A, mm, V, W, Hz, N, °C, dB, min, $\text{m/s}^2$	Unidades básicas y unidades derivadas del sistema internacional de unidades <b>SI</b> .

## Descripción técnica y especificaciones.

**⚠ ADVERTENCIA** Corte la alimentación de la herramienta neumática antes de efectuar ajustes en ella, al cambiar de accesorio o cuando no vaya a utilizarla. Esta medida preventiva evita la conexión accidental del aparato.

El material de serie suministrado con su herramienta neumática puede que no corresponda en su totalidad al material descrito o mostrado en estas instrucciones de uso.



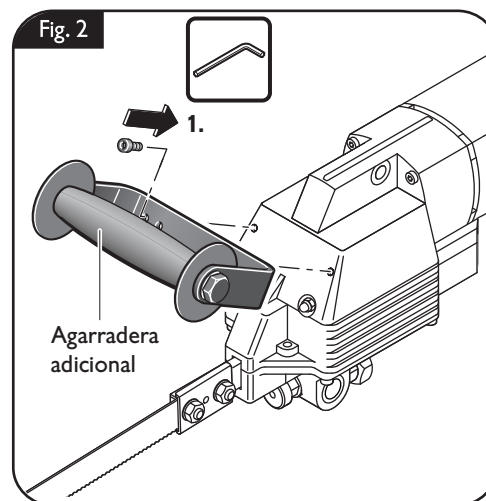
<b>Tipo</b>	<b>STS325R (**)</b>
N° de referencia	7 534 ...
Potencia útil	1100 W
N° de carreras en vacío	330 rpm
Presión	6 bar
Caudal	1250 l/min
Carrera	60 mm
Ø interior de manguera	13 mm
Diámetro exterior máx.	
- Para tubos	13 in 325 mm
- Con dispositivo de sujeción y prolongación de la cadena	17 1/4 in 440 mm
Dimensiones máx. del material	
- Ancho	11 1/4 in 290 mm
- Altura	22 in 550 mm
Peso según EPTA-Procedure 01	14.1 lbs (6.4 kg)

## Instrucciones de montaje.

**⚠ ADVERTENCIA** Corte la alimentación de la herramienta neumática antes de efectuar ajustes en ella, al cambiar de accesorio o cuando no vaya a utilizarla. Esta medida preventiva evita la conexión accidental del aparato.

### Montaje de la agarradera adicional (Figura 2).

Sujete la agarradera adicional al cabezal de engranes con los tornillos de cabeza cilíndrica. Apriete firmemente los tornillos de cabeza cilíndrica con la llave allen.





## Cambio de útil

**ADVERTENCIA** Corte la alimentación de la herramienta neumática antes de efectuar ajustes en ella, al cambiar de accesorio o cuando no vaya a utilizarla. Esta medida preventiva evita la conexión accidental del aparato.

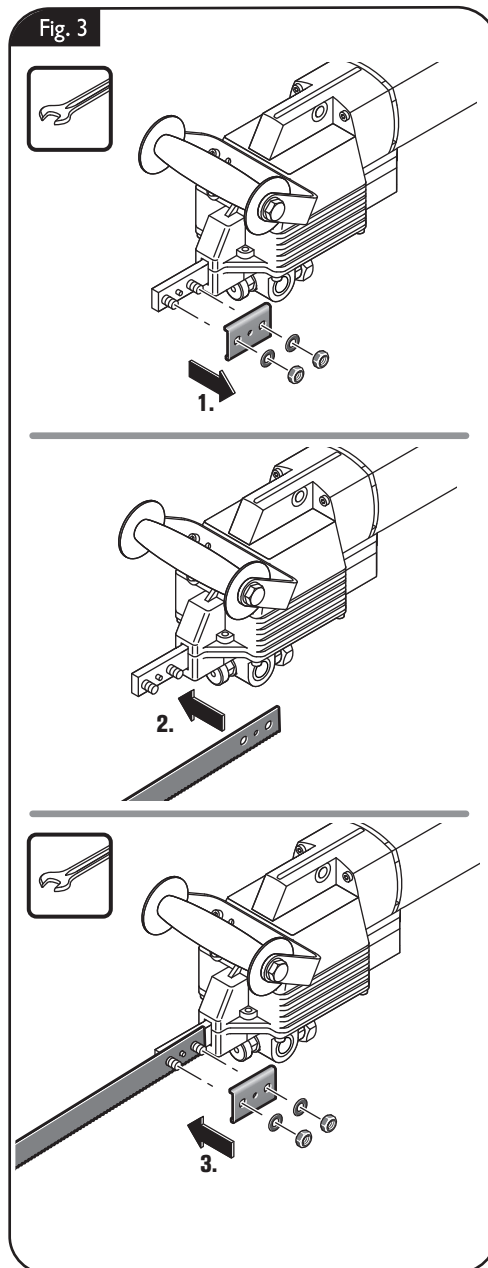
### Montaje de la segueta (Figura 3).

Desenrosque ambas tuercas hexagonales del émbolo portaútiles con la llave fija.

Retire la placa de presión.

Monte la segueta y la placa de presión en el émbolo portaútiles.

Apriete firmemente las tuercas hexagonales.



## Instrucciones para la operación.

**⚠ ADVERTENCIA** Corte la alimentación de la herramienta neumática antes de efectuar ajustes en ella, al cambiar de accesorio o cuando no vaya a utilizarla. Esta medida preventiva evita la conexión accidental del aparato.

**!** Solamente use los útiles que FEIN haya previsto y autorizado para el trabajo que vaya a realizar.

### Conexión y desconexión (Figura 4).

**⚠ ATENCIÓN** Siempre sujete con firmeza la herramienta neumática. Ello puede hacerle perder el control sobre la herramienta neumática.

**!** Solamente aproxime la herramienta neumática conectada contra la pieza de trabajo.

Guíe uniformemente la herramienta neumática, empujándola levemente en el sentido de corte. Un avance excesivo reduce considerablemente la duración del útil.

Para aumentar la vida útil de la hoja de sierra al cortar metales se recomienda aplicar un lubricante:

- Para cortes en chapa de acero: aceite de corte.
- Para cortes en aluminio: petróleo.

Alternativamente puede aplicarse pasta lubricante sobre la línea de corte.

Antes de desenchufar el acoplamiento de la manguera, cierre primero la llave de paso y conecte entonces la herramienta neumática. Espere a que haya salido todo el aire comprimido y desenchufe entonces el acoplamiento de la manguera.

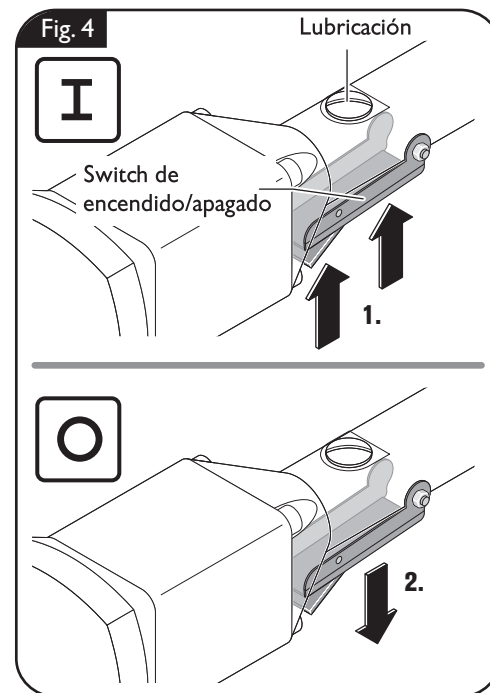
#### Conexión:

Presione el switch. El nº de carreras va aumentando con la presión ejercida sobre el switch **(I)**.

- Nº de carreras reducido para procesar aluminio y plástico.
- Nº de carreras elevado para procesar acero.

#### Desconexión:

Deje de accionar el switch **(O)**.



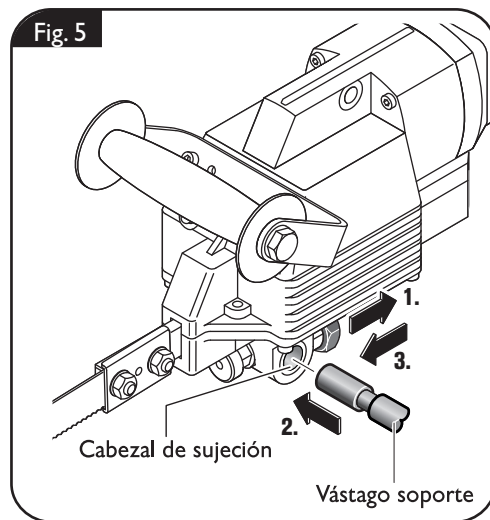
## Uso de los dispositivos de fijación recomendados (Figura 5).

### Dispositivo de sujeción 9 07 02 001 00 1

En tubos con un diámetro hasta 150 mm use el dispositivo de sujeción 9 07 02 001 00 1.

- Abraze la pieza de trabajo con la cadena tensora y aloje los ganchos del eslabón en la cadena tensora.
- Tense la cadena con el estribo.
- Coloque la sierra de corte en el vástago soporte.

El cabezal de sujeción puede reajustarse longitudinalmente e inclinarse.



### Dispositivo de sujeción 9 07 02 004 00 6

Para tubos más grandes con diámetros entre 100 mm y 325 mm deberá usarse el dispositivo de fijación 9 07 02 004 00 6 en combinación con las hojas de sierra de 500 mm ó 600 mm y un grosor de 2 mm. Con el prolongador de cadena 3 02 31 003 00 3 (vástago 3 02 16 130 00 4) pueden procesarse también tubos de un diámetro de 440 mm.

### Guía de la hoja de sierra 9 06 06 002 00 9

Para cortar tubos de un diámetro hasta 325 mm con la hoja de sierra de 1,6 mm de grosor y 530 mm de longitud, emplee la guía de hojas de sierra 9 06 06 002 00 9.

- Con la agarradera adicional desmontada sujete la guía de hojas de sierra en el taladro del cabezal de engranes de la herramienta neumática.

### Dispositivo de sujeción 9 07 02 003 00 8

Para serrar perfiles de un ancho de 310 mm y una altura de 550 mm, usar el dispositivo de fijación 9 07 02 003 00 8. La construcción es similar a la de un tornillo de banco. Las mordazas de fijación y el cabezal de sujeción son ajustables.

### Dispositivo de sujeción 9 07 02 005 00 0

Para cortar tubos y material en redondo con un diámetro exterior entre 80 y 400 mm utilizar el dispositivo de sujeción y avance 9 07 02 005 00 0 para guiar la sierra de corte. Un embrague de deslizamiento se encarga de limitar el tiempo en que es presionada la hoja de sierra aumentando así la duración de ésta. Su utilización se describe en el manual 3 41 00 898 06 6.

### Patín soporte 3 27 14 062 02 3

Para serrar materiales como, p. ej., chapa ondulada, utilizar el patín soporte 3 27 14 062 02 3.

Desmunte la agarradera adicional y sujete el patín soporte en el émbolo portaútiles y en el taladro superior del cabezal de engranes.

## Reparación y servicio técnico.

**⚠ ADVERTENCIA** Corte la alimentación de la herramienta neumática antes de efectuar ajustes en ella, al cambiar de accesorio o cuando no vaya a utilizarla. Esta medida preventiva evita la conexión accidental del aparato.

### Piezas sustituibles.

Si fuese preciso, puede sustituir Ud. mismo las piezas siguientes:

Útiles, agarradera adicional, manguera

### Servicio técnico.

**⚠ ADVERTENCIA** Únicamente deje realizar los trabajos de mantenimiento por un profesional. Las líneas y componentes mal montados pueden suponer un grave peligro. Deje efectuar el servicio requerido por un servicio técnico FEIN.

La lista de piezas de refacción actual de esta herramienta neumática la encuentra en internet bajo [www.fein.com](http://www.fein.com).

### Limpieza.

**⚠ ATENCIÓN** No intente limpiar las rejillas de refrigeración de la herramienta neumática con objetos metálicos en punta, emplee para ello objetos que no sean de metal.

**⚠ ATENCIÓN** No aplique agentes de limpieza ni disolventes que pudieran atacar a las piezas de plástico.

Algunos de estos agentes son: gasolina, tetracloruro de carbono, disolventes clorados, amoníaco y detergentes domésticos que contengan amoníaco.

Los siguientes pasos deberán realizarse semanalmente:

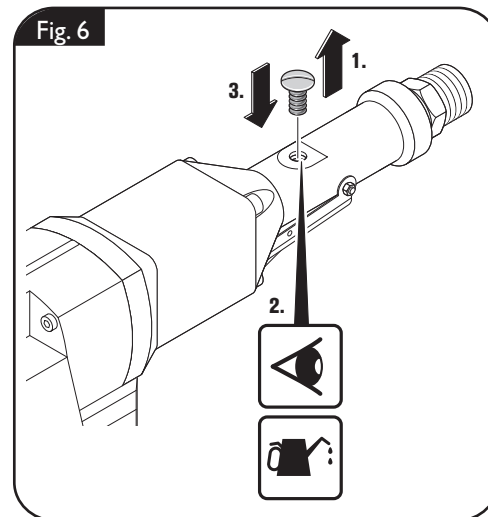
- Eche algo de petróleo directamente en la entrada de aire de la herramienta neumática.
- Deje funcionar la herramienta neumática entre 10 y 15 segundos. Durante este tiempo va saliendo de la herramienta neumática el petróleo con la suciedad acumulada.

- Si aplica algo de aceite a la entrada de aire después de haber realizado esta limpieza contribuirá a mantener el rendimiento del motor.

De la lubricación adicional se encarga el accesorio especial montado en la agarradera.

Realice los trabajos de mantenimiento y limpieza en la herramienta neumática cada 300 horas de trabajo o cada semestre. En caso de que la manguera de la herramienta neumática se dañe es necesario sustituirla por una manguera especial que deberá adquirir a través de uno de los servicios técnicos FEIN.

Realice los trabajos de mantenimiento y limpieza en la herramienta neumática cada 300 horas de trabajo o cada semestre. En caso de que la manguera de la herramienta neumática se dañe es necesario sustituirla por una manguera especial que deberá adquirir a través de uno de los servicios técnicos FEIN.



### Ajuste correcto del aceitador: (Figura 7).

A la presión de servicio (6 bar, mín.) el aceite deberá barbotear teniendo abierto el tornillo de llenado.

Una carga sirve para aprox. 8 horas de servicio.

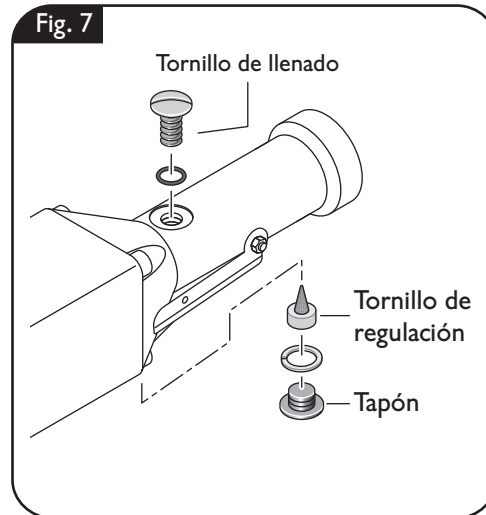
Después de retirar el tornillo obturador puede verse el tornillo de regulación.

Al apretarlo, se reduce el paso de aceite hacia la máquina, y al aflojarlo, el paso de aceite aumenta.

En la mayoría de los casos bastará con apretarlo o aflojarlo  $\frac{1}{4}$  o  $\frac{1}{2}$  vuelta.

Mantenga libre el taladro de  $\varnothing$  2 mm.

Cheque el ajuste correcto del aceitador con una hoja de papel: coloque una hoja de papel blanco a la salida de aire de la máquina; la capa de aceite depositada deberá ser tan fina que el aceite no escurra.



### Garantía.

La garantía del producto se realiza de acuerdo a las regulaciones legales vigentes en el país de adquisición. Adicionalmente, FEIN ofrece una garantía ampliada de acuerdo con la declaración de garantía del fabricante FEIN.

El material de serie suministrado con su herramienta neumática puede que no corresponda en su totalidad al material descrito o mostrado en estas instrucciones de uso.

### Protección del medio ambiente, eliminación.

Tanto los embalajes como las herramientas neumáticas y accesorios inservibles deberán ser sometidos a un reciclaje ecológico.

Informaciones adicionales al respecto las obtiene en su comercio especializado habitual.

## Accesorios incluidos en el suministro (Figura 8).

