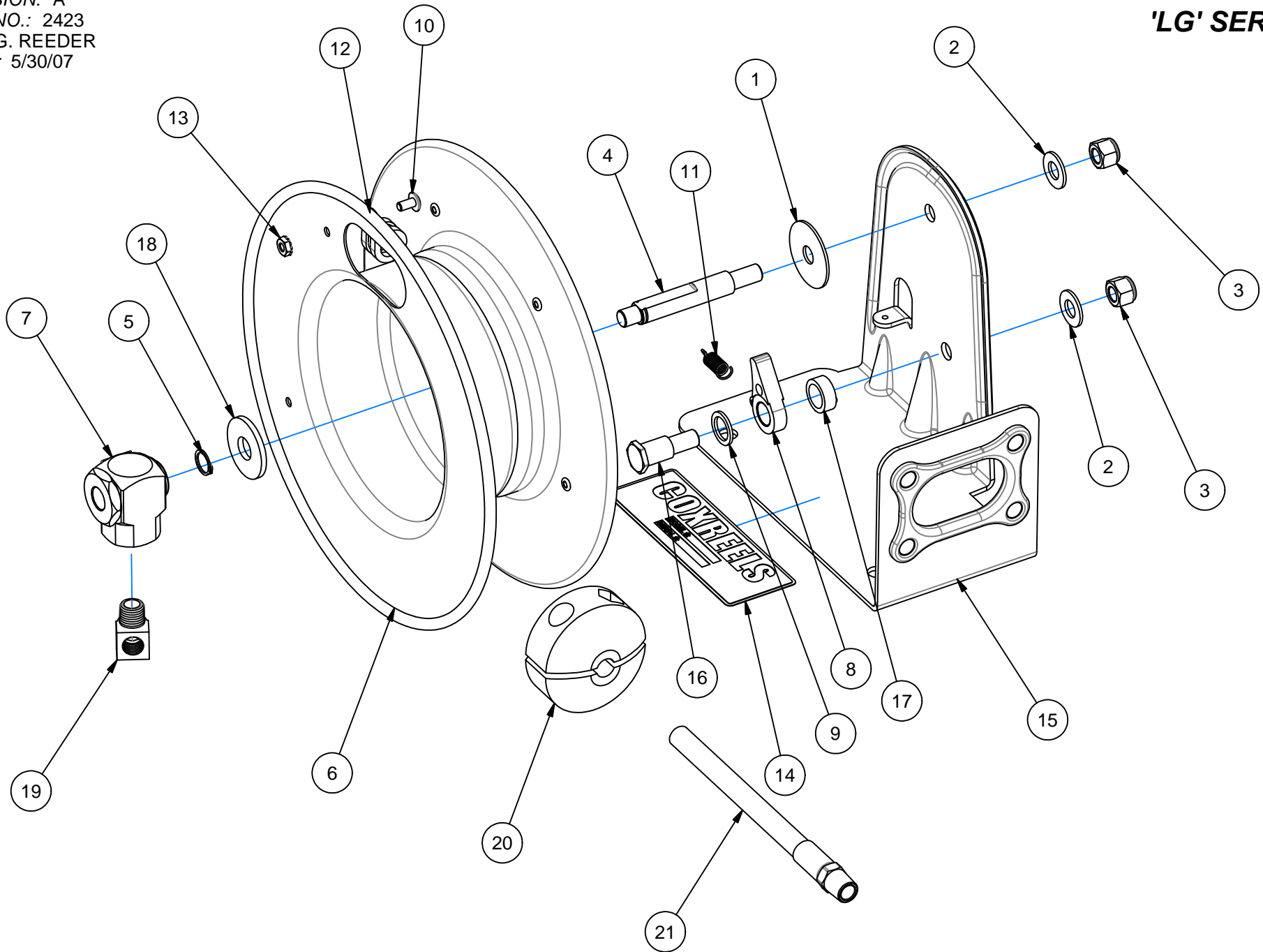


EXP-14

REVISION: A
ECO NO.: 2423
BY: G. REEDER
DATE: 5/30/07

COXREELS 'LG' SERIES



'LG' SERIES

| DETAIL ITEM NO. | PART NO. | DESCRIPTION | LG-LP-115 | LG-LP-125 | LG-LP-310 | LG-LP-320 |
|--------------------|----------|------------------------------------|-----------|-----------|-----------|-----------|
| 1 | 8425 | WASHER: 3/8" FENDER, 1.5" O.D. | 1 | 1 | 1 | 1 |
| 2 | 157 | WASHER: 3/8" NARROW | 2 | 2 | 2 | 2 |
| 3 | 435 | NUT: 3/8-16 NYLOCK | 2 | 2 | 2 | 2 |
| 4 | 8604 | AXLE: 1/2" DIAMETER | 1 | 1 | 1 | 1 |
| 5 | 6326 | RING: 1/2" RETAINING | 1 | 1 | 1 | 1 |
| 6 | 8601-30 | ASSEMBLY: SPRING AND DRUM | 1 | 1 | 1 | 1 |
| 7 | 1969 | ASSEMBLY: 1/4" SWIVEL | 1 | 1 | - | - |
| | 1935 | ASSEMBLY: 3/8" SWIVEL | - | - | 1 | 1 |
| 8 | 640-1-SS | DOG: LOCKING | 1 | 1 | 1 | 1 |
| 9 | 6441-1 | WASHER: SPACER, .065" | 1 | 1 | 1 | 1 |
| 10 | 245 | SCREW: #10-32 X 3/8" PHILLIPS HEAD | 1 | 1 | 1 | 1 |
| 11 | 274-1-SS | SPRING: LOCK DOG | 1 | 1 | 1 | 1 |
| 12 | 2169 | CLAMP: #8 HOSE | 1 | 1 | - | - |
| | 381 | CLAMP: #10 HOSE | - | - | 1 | 1 |
| 13 | 130 | NUT: #10-32 KEPS | 1 | 1 | 1 | 1 |
| 14 | 10925-5 | LABEL: STANDARD | 1 | 1 | 1 | 1 |
| 15 | 8591 | ASSEMBLY: BASE, BENCH REEL | 1 | 1 | 1 | 1 |
| 16 | 1620 | BOLT: 1/2" SHOULDER, CUSTOM | 1 | 1 | 1 | 1 |
| 17 | 6440-SS | SPACER: .286" W X .75" O.D. | 1 | 1 | 1 | 1 |
| 18 | 8374 | WASHER: 1/2" NYLON | 1 | 1 | 1 | 1 |
| 19 | 6088 | ELBOW: STREET, 90 DEG. 1/4" NPT | 1 | 1 | - | - |
| | 208 | ELBOW: STREET, 90 DEG. 3/8" NPT | - | - | 1 | 1 |
| 20 | 131 | STOP: 1/4" HOSE | 1 | 1 | - | - |
| | 131-3 | STOP: 3/8" HOSE | - | - | 1 | 1 |
| 21 | 5150-15 | ASSEMBLY: 1/4" X 15' PVC HOSE | 1 | - | - | - |
| | 5150-25 | ASSEMBLY: 1/4" X 25' PVC HOSE | - | 1 | - | - |
| | 5150-35 | ASSEMBLY: 1/4" X 35' PVC HOSE | - | - | - | - |
| | 5153-10 | ASSEMBLY: 3/8" X 10' PVC HOSE | - | - | 1 | - |
| | 5153-20 | ASSEMBLY: 3/8" X 20' PVC HOSE | - | - | - | 1 |

REVISION: A

ECO: 2423

DATE: 5/30/2007

NAME: G. REEDER