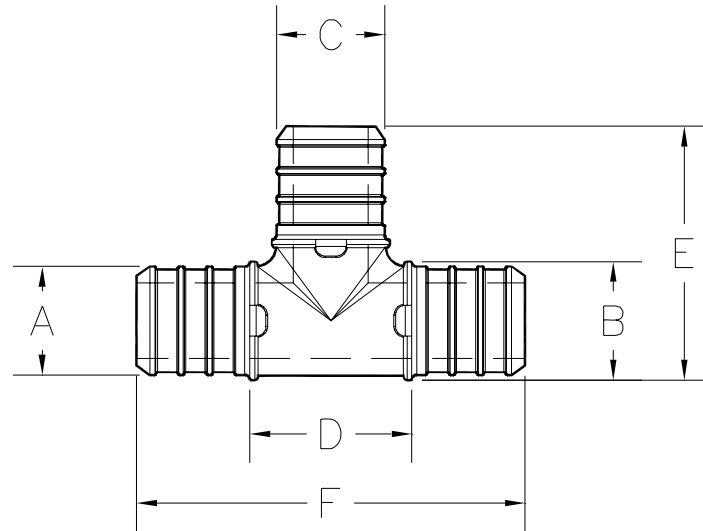




# QickSert CR™ Barb x Barb x Barb Tee QQPT\_\_X Specification Sheet

Tag \_\_\_\_\_

Dimensional Data: Inches and [mm] are subject to manufacturing tolerances and change without notice.



| Part Number | Description                           | 'A'<br>in [mm] | 'B'<br>in [mm] | 'C'<br>in [mm] | 'D'<br>in [mm] | 'E'<br>in [mm] | 'F'<br>in [mm] |
|-------------|---------------------------------------|----------------|----------------|----------------|----------------|----------------|----------------|
| QQPT333X    | 1/2" Barb x 1/2" Barb x 1/2" Barb Tee | 0.473" [12.0]  | 0.473" [12.0]  | 0.473" [12.0]  | 0.85" [21.6]   | 1.13" [28.7]   | 2.25" [57.2]   |
| QQPT334X    | 1/2" Barb x 1/2" Barb x 3/4" Barb Tee | 0.473" [12.0]  | 0.473" [12.0]  | 0.668" [17.0]  | 1.00" [25.4]   | 1.20" [30.5]   | 2.40" [61.0]   |
| QQPT433X    | 3/4" Barb x 1/2" Barb x 1/2" Barb Tee | 0.668" [17.0]  | 0.473" [12.0]  | 0.473" [12.0]  | 1.00" [25.4]   | 1.20" [30.5]   | 2.40" [61.0]   |
| QQPT434X    | 3/4" Barb x 1/2" Barb x 3/4" Barb Tee | 0.668" [17.0]  | 0.473" [12.0]  | 0.668" [17.0]  | 0.98" [24.9]   | 1.20" [30.5]   | 2.40" [61.0]   |
| QQPT443X    | 3/4" Barb x 3/4" Barb x 1/2" Barb Tee | 0.668" [17.0]  | 0.668" [17.0]  | 0.473" [12.0]  | 1.00" [25.4]   | 1.20" [30.5]   | 2.40" [61.0]   |
| QQPT444X    | 3/4" Barb x 3/4" Barb x 3/4" Barb Tee | 0.668" [17.0]  | 0.668" [17.0]  | 0.668" [17.0]  | 1.00" [25.4]   | 1.20" [30.5]   | 2.40" [61.0]   |
| QQPT553X    | 1" Barb x 1" Barb x 1/2" Barb Tee     | 0.856" [21.7]  | 0.856" [21.7]  | 0.473" [12.0]  | 1.00" [25.4]   | 1.79" [45.5]   | 2.68" [68.1]   |
| QQPT544X    | 1" Barb x 3/4" Barb x 3/4" Barb Tee   | 0.856" [21.7]  | 0.668" [17.0]  | 0.668" [17.0]  | 1.14" [29.0]   | 1.83" [46.5]   | 2.73" [69.3]   |
| QQPT554X    | 1" Barb x 1" Barb x 3/4" Barb Tee     | 0.856" [21.7]  | 0.856" [21.7]  | 0.668" [17.0]  | 0.98" [24.9]   | 1.74" [44.2]   | 2.68" [68.1]   |
| QQPT555X    | 1" Barb x 1" Barb x 1" Barb Tee       | 0.856" [21.7]  | 0.856" [21.7]  | 0.856" [21.7]  | 1.36" [35.5]   | 2.00" [50.8]   | 3.05" [77.5]   |

**Engineering Specification:** ZurnPEX® QickSert CR™ Barb x Barb x Barb tee. The QQPT\_\_X tee is used to branch off a main line or change direction. Molded from Acudel®. These fittings, as a system with Zurn PEX® tube, are pressure rated at 160 PSI at 73°F, 100 PSI at 180°F, and 80 PSI at 200°F. These fittings are listed by NSF as complying with the following standards: NSF/ANSI Standard 14, NSF/ANSI Standard 61, ASTM F877, and CSA B137.5, and ASTM F2159.

#### Accessories

- \_\_\_ **QCLP3X** 1/2" QickClamp™ Crimp Ring
- \_\_\_ **QCLP4X** 3/4" QickClamp™ Crimp Ring
- \_\_\_ **QCLP5X** 1" QickClamp™ Crimp Ring
- \_\_\_ **QCR3X** 1/2" Copper Crimp Ring
- \_\_\_ **QCR4X** 3/4" Copper Crimp Ring
- \_\_\_ **QCR5X** 1" Copper Crimp Ring

|                |                |                   |
|----------------|----------------|-------------------|
| Rev. A         | Date: 06/26/08 | C.N. No. 98690    |
| Dwg. No. 82187 |                | Prod. No. QQPT__X |