



**Wash-Ware® 3423ADA Series**  
Semi-Circular Models - 3 or 4 Stations - ADA Compliant



3424-ES-ADA-1-H

3424-ADA-2-H

Fixture May Show Some Available Options

Please visit [www.acorneng.com](http://www.acorneng.com) for most current specifications.

**Semi-Circular Models - 3 or 4 Stations - ADA Compliant**

**Bowl and Sprayhead** are type 304 stainless steel with satin finish. Bowl is 38" wide, and has an integral backsplash and sprayhead. Heavy-duty S-clips securely anchor the backsplash to the wall. Sprayhead is 15" diameter x 5-1/4" high.

**Standard Housing** is black vinylclad, galvanized steel panels on both sides and a type 304 stainless steel panel with satin finish on the front side. Base is also stainless steel.

**ES Series** feature a contoured 16 gage, type 304 stainless steel pedestal housing with satin finish. One piece housing and flush mounted access cover allow for easier installation and servicing of unit.

**ADA Compliance.** Units conform to ANSI, UFAS and ADA requirements for accessibility. Compliance is subject to the interpretation and requirements of the local code authority.

**Soap/Toiletry Tray** on top of sprayhead is standard. There are additional self-draining, air-circulating soap dishes on each side of the bowl.

**Sectional Control** is standard. One pushbutton or sensor actuates one station.

**Hand Pushbuttons** (suffix option -H) operate metering non-hold open Air-Control Valves and can be field set for flow ranging from 5 to 60 seconds. Pushbutton requires less than 5 pounds of force to activate valve.

**Electronic Sensor Operation** (suffix option -SO) includes individual solenoid valves activated by infrared sensors. A low voltage transformer is provided.

**Foot Pushbuttons** are not available on these models.

**Spray Nozzles** are vandal-resistant and provide a concentrated 0.5 GPM spray at each station.

**Hot & Cold Supplies** are blended in an ASSE 1070 compliant temperature/pressure balancing mixing valve with integral checks and strainers. A minimum of 30 PSI supply pressure is required.

**Waste Connection** is a 1-1/2" OD x 4" tailpiece.

**GUIDE SPECIFICATION**

Provide and install Acorn ADA Compliant Washfountain (specify model number and options) factory pre-assembled, with individual sectional control. Bowl shall be 14 gage stainless steel and shall have an integral backsplash. Sprayhead shall be 18 gage stainless steel. Spray nozzles shall be vandal-resistant type with 0.5 GPM flow controls. Provide self-draining, air-circulating type soap/toiletry tray on top of sprayhead, and soap dish on each side of bowl. On-Floor and Off-Floor Models shall have backsplash and housing framework anchored to wall. The wall shall be structurally reinforced to support the fixture. Standard base On-Floor Models shall have additional floor anchoring. Provide an ASSE 1070 compliant temperature/pressure balancing mixing valve with integral checks and strainers in H & C supply and field set water temperature at 105 degrees Fahrenheit. When hand operated non-hold open metering valves are specified, timing cycle shall be field set for approximately (specify) seconds. Units to conform to ANSI, UFAS and ADA requirements for accessibility.

# Wash-Ware®: 3423ADA Semi-Circular Models - 3 or 4 Stations - ADA Compliant



## MODEL NUMBER AND OPTIONS SELECTION

### BASE MODEL NUMBERS (Must Specify)

- 3423-ADA Semi-Circular, Three Station
- 3424-ADA Semi-Circular, Four Station
- 3423-ES-ADA Semi-Circular with Contoured Base, Three Station
- 3424-ES-ADA Semi-Circular with Contoured Base, Four Station

### FIXTURE MOUNTING AND WASTE (Must Specify)

- (1-1/2" O.D. Tailpiece Provided Standard)
- 1 Off-Floor, Wall Outlet
  - 2 On-Floor, Wall Outlet

### OPERATION (Must Specify)

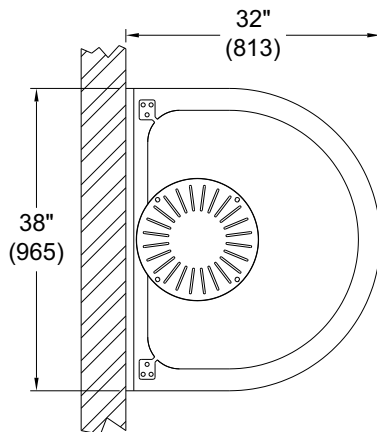
- H Hand Operation
- PPZ Programmable Piezo Pushbutton Electronic Metering
- SO Sensor Operation
- SO-BAT Sensor Operation (Batteries Not Included)

**Note:** Foot operation is not available on these models.

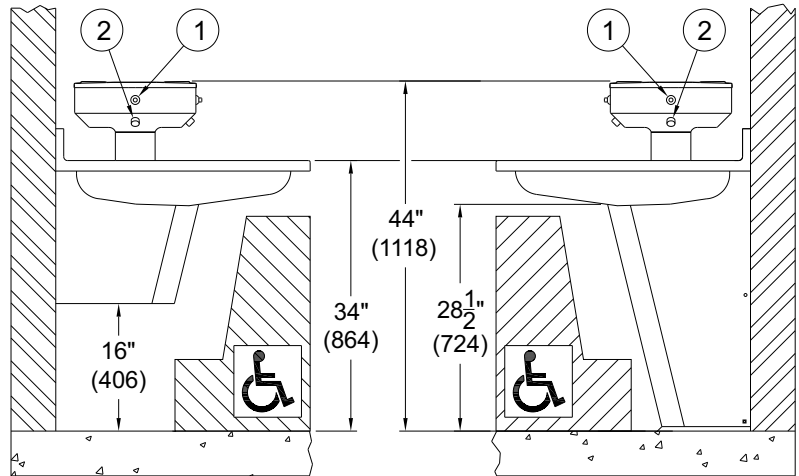
### PRODUCT OPTIONS (Must Specify)

- CB Column Braced to Backsplash
- DP Metering Powder Soap Dispenser
- DV Liquid / Lotion Soap Dispenser
- EG Enviro-Glaze Color, Bowl and Sprayhead  
Specify: \_\_\_\_\_
- HB Hose Bibb, Specify:  Left Side  Right Side (Not ADA Compliant)
- JH31 31" Junior Rim Height (Not ADA Compliant On -2 On-Floor Units)  
Less Backsplash
- LBS Pipe Column Brace (Pipe By Others)
- PCB Pipe Column Brace (Pipe By Others)
- PDM Metering Liquid Soap Dispenser (Not Available with -PCB, -TM, or -TS)
- SPX 16 Gage Stainless Steel Housing (Standard on -ES Contoured Base Units)
- ST Single Temperature Valve
- TM C or Multi-Fold Paper Towel Dispenser (Not ADA Compliant)
- TS Single-Fold Paper Towel Dispenser (Not ADA Compliant)

Please visit [www.acorneng.com](http://www.acorneng.com) for most current specifications.



MODELS: 3423/3424-ADA



3423/3424-ADA-1-H

3423/3424-ADA-2-H

### NOTES:

1. -H Pushbutton.

2. Spray Nozzle.

**WARNING:** Cancer and Reproductive Harm - [www.P65Warnings.ca.gov](http://www.P65Warnings.ca.gov)

<p><b>Important:</b> Installation instructions and current rough-in are furnished with each fixture. Do not rough in without certified dimensions. Dimensions are subject to manufacturer's tolerance of plus or minus 1/4" and change without notice. Acorn assumes no responsibility for use of void or superseded data. © Copyright 2006 Acorn Engineering Company</p>	
<p style="text-align: center;">Selection Summary</p> <p>Model No. &amp; Option _____</p> <p>Quantity _____</p>	<p style="text-align: center;">Approved for Manufacturing</p> <p>Company _____ Title _____</p> <p>Signature _____ Date _____</p>