



## Wash-Ware® 3401 Series

Elliptical Models - 1, 2 or 3 Stations



3402-2-F

Fixture May Show Some Available Options

Please visit [www.acorneng.com](http://www.acorneng.com) for most current specifications.

### Elliptical Models - 1, 2 or 3 Stations

**Bowl** is 14 gage type 304 stainless steel with satin finish and has an integral backsplash and sprayhead. Heavy-duty S-clips securely anchor the backsplash to the wall. Sprayhead has self-draining, air-circulating soap holders.

**Standard Housing** is black vinylclad, galvanized steel. Base is heavy gage, type 304 stainless steel with satin finish.

**-1 Off-Floor Fixtures are ADA Compliant.** Off-floor sensor and hand-operated units conform to ANSI, UFAS and ADA requirements for accessibility. Compliance is subject to the interpretation and requirements of the local code authority.

**Sectional Control** is standard. One pushbutton or sensor actuates one station.

**Hand Pushbuttons** (suffix option -H) operate metering non-hold open Air-Control Valves and can be field set for flow ranging from 5 to 60 seconds.

**Electronic Sensor Operation** (suffix option -SO) includes individual solenoid valves activated by infrared sensors. A low voltage transformer is provided.

**Foot Pushbuttons** (suffix option -F) operate direct acting non-metering Air-Control Valves that permit the user to control the length of the washing cycle. This option not available with -1 Off-Floor fixture mounting and -ES series contoured base pedestal housing units. This option is not ADA compliant.

**Spray Nozzles** are vandal-resistant and provide a concentrated 0.5 GPM spray at each station.

**Hot & Cold Supplies** are blended in an ASSE 1070 compliant temperature/pressure balancing mixing valve with integral checks and strainers. A minimum of 30 PSI supply pressure is required.

**Waste Connection** is a 1-1/2" OD x 4" tailpiece.

### GUIDE SPECIFICATION

Provide and install Acorn Washfountain (specify model number and options) factory pre-assembled, with individual sectional control. Bowl shall be 14 gage stainless steel and shall have an integral backsplash with vandal-resistant spray nozzle(s) and 0.5 GPM flow control(s). Provide self-draining, air-circulating soap holders on top of sprayhead. On-Floor and Off-Floor Models shall have backsplash and housing framework anchored to wall. The wall shall be structurally reinforced to support the fixture. Standard base On-Floor Models shall have additional floor anchoring. Provide an ASSE 1070 compliant temperature/pressure balancing mixing valve with integral checks and strainers in H & C supply and field set water temperature at 105 degree Fahrenheit. When hand operated non-hold open metering valves are specified, timing cycle shall be field set for approximately (specify) seconds. Off-floor units to conform to ANSI, UFAS and ADA requirements for accessibility.



# Wash-Ware®: 3401 Elliptical Models -1, 2, or 3 Stations

## MODEL NUMBER AND OPTIONS SELECTION

### BASE MODEL NUMBERS (Must Specify)

- 3401 Elliptical, One Station
- 3402 Elliptical, Two Station
- 3403 Elliptical, Three Station

### FIXTURE MOUNTING AND WASTE (Must Specify)

- (1-1/2" OD Tailpiece Provided Standard)
- 1 Off-Floor, Wall Outlet, ADA Compliant
  - 2 On-Floor, Wall Outlet

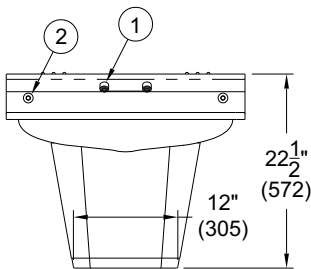
### OPERATION (Must Specify)

- F Foot Operation (-2 On-Floor Models Only)
- H Hand Operation
- PPZ Programmable Piezo Pushbutton Electronic Metering
- SO Sensor Operation
- SO-BAT Sensor Operation (Batteries Not Included)

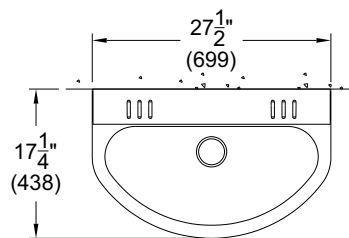
## PRODUCT OPTIONS

- BDM Metering Liquid Soap Dispenser (Not Available with -1 Off-Floor)
- EG Enviro-Glaze Color, Bowl and Sprayhead Specify: \_\_\_\_\_
- HB Hose Bibb, Specify:  Left Side  Right Side (Not ADA Compliant.)
- JH31 31" Junior Rim Height
- SPX 16 Gage Stainless Steel Housing
- ST Single Temperature Valve

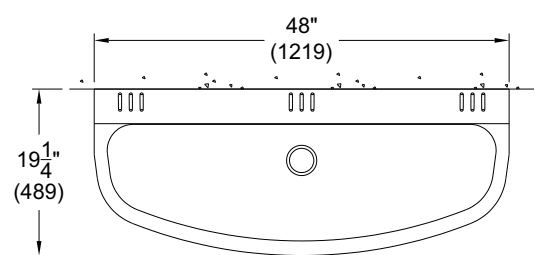
Please visit [www.acorneng.com](http://www.acorneng.com) for most current specifications.



3402 SHOWN

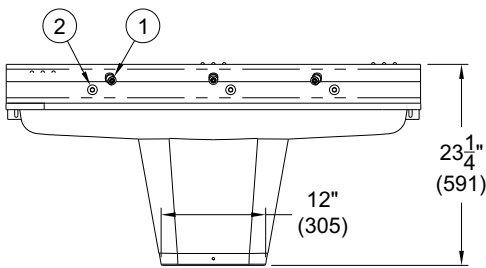


3401 / 3402

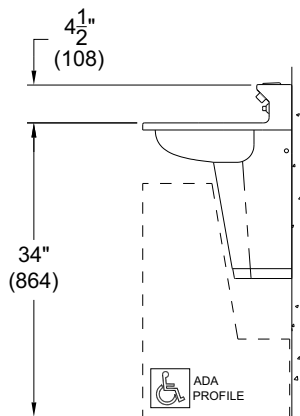


3403

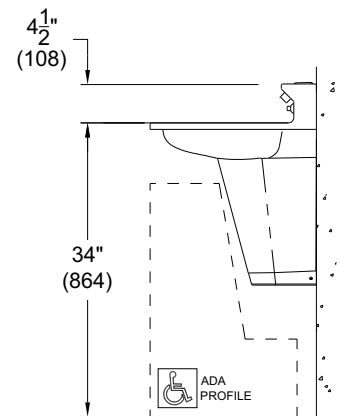
NOTES:  
1. Spray Nozzle.  
2. -H Pushbutton.



3403



3401 / 3402



3403

**WARNING:** Cancer and Reproductive Harm - [www.P65Warnings.ca.gov](http://www.P65Warnings.ca.gov)

<p><b>Important:</b> Installation instructions and current rough-in are furnished with each fixture. Do not rough in without certified dimensions. Dimensions are subject to manufacturer's tolerance of plus or minus 1/4" and change without notice. Acorn assumes no responsibility for use of void or superseded data. © Copyright 2006 Acorn Engineering Company</p>	
<p style="text-align: center;">Selection Summary</p> <p>Model No. &amp; Option _____</p> <p>Quantity _____</p>	<p style="text-align: center;">Approved for Manufacturing</p> <p>Company _____ Title _____</p> <p>Signature _____ Date _____</p>